



## Regency 57" 16 Gauge Stainless Steel Two Compartment Commercial Sink with Galvanized Steel Legs and 1 Drainboard - 17" x 17" x 12" Bowls - Left Drainboard

#60S2171718GL



### Technical Data

Length	57 Inches
Width	22 Inches
Height	44 3/4 Inches
Drainboard Length	18 Inches
Bowl Depth	12 Inches
Backsplash Height	10 3/4 Inches
Work Surface Height	34 3/4 Inches
Basket Drain Size	3 1/2 Inches
Bowl Front to Back	17 Inches
Bowl Left to Right	17 Inches

### Features

- Made of high-quality 16 gauge, type 304 stainless steel
- Galvanized 1 5/8" steel legs with sockets and adjustable bullet feet for added stability
- Faucet holes pre-punched on 8" centers (faucet sold separately)
- Includes one 18" drainboard and 3 1/2" IPS drain connections
- Rolled edge contains splashes and overflow

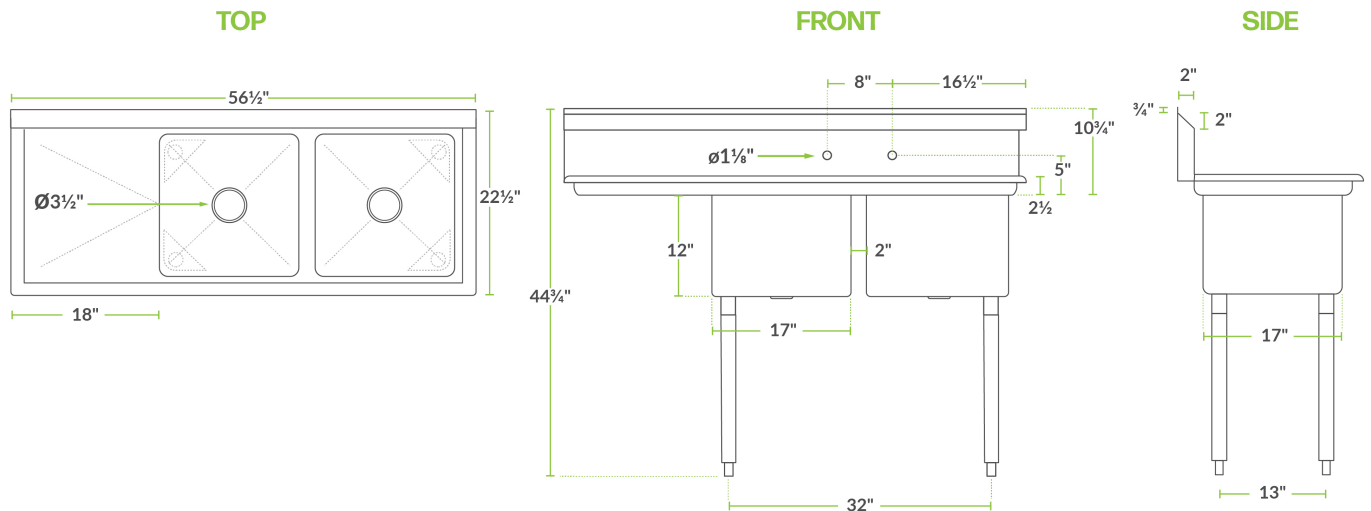
### Certifications



## Technical Data

Drain Outlet Size	3 1/2 Inches
Faucet Centers	8 Inches
Features	NSF Listed
Gauge	16 Gauge
Leg Construction	Galvanized Steel
Material	Stainless Steel
Number of Compartments	2 Compartments
Number of Drainboards	1 Drainboard
Stainless Steel Type	Type 304
Style	1 Drainboard
Type	Straight / Line Sinks

## Plan View



## Notes & Details

Wash, prep, or clean with ease when you use this 57" two compartment commercial sink with one 18" drainboard from Regency Tables and Sinks. Made of high-quality 16 gauge, type 304 stainless steel for reliable service, this gauge is thicker and much more durable than many similar sinks available. Additionally, type 304 stainless steel is exceptionally corrosion-resistant and easy to clean!

Each compartment offers rounded corners and ample space to either wash, rinse, or sanitize your items as needed. In addition, the drains include 3 1/2" basket strainers to eliminate the possibility of clogging. By regularly maintaining your drainage system, you will cut down on possible service and replacement costs.

Thanks to the high backsplash, water splashes will be confined inside the sink and then directly drip down into the drain. This added feature helps maintain the integrity of your wall and floor to keep your establishment in its best condition. Plus, this sink has two holes pre-punched to accept the faucet of your choice (sold separately). This model has galvanized steel legs and adjustable plastic bullet feet to keep the sink level and stable.

 **WARNING:** This product can expose you to chemicals including lead, which are known to the State of California to cause cancer, birth defects, or other reproductive harm. For more information, go to [www.p65warnings.ca.gov](http://www.p65warnings.ca.gov).