



Regency 50 1/2" 16 Gauge Stainless Steel One Compartment Commercial Sink with Stainless Steel Legs, Cross Bracing, and 1 Drainboard - 24" x 24" x 14" Bowl - Left Drainboard

#60S1242424XL



Technical Data

Length	50 1/2 Inches
Width	29 1/2 Inches
Height	43 3/4 Inches
Drainboard Length	24 Inches
Bowl Depth	14 Inches
Backsplash Height	9 Inches
Work Surface Height	34 3/4 Inches
Basket Drain Size	3 1/2 Inches
Bowl Front to Back	24 Inches
Bowl Left to Right	24 Inches

Features

- Features a durable 16-gauge type 304 stainless steel construction
- Designed with a 14" deep bowl and rounded corners for easy cleaning
- Stainless steel legs, sockets, bullet feet, and crossbracing for maximum strength and longevity
- Includes a 24" drainboard and 3 1/2" drain basket
- Backsplash and rolled edges prevent splashes and overflow

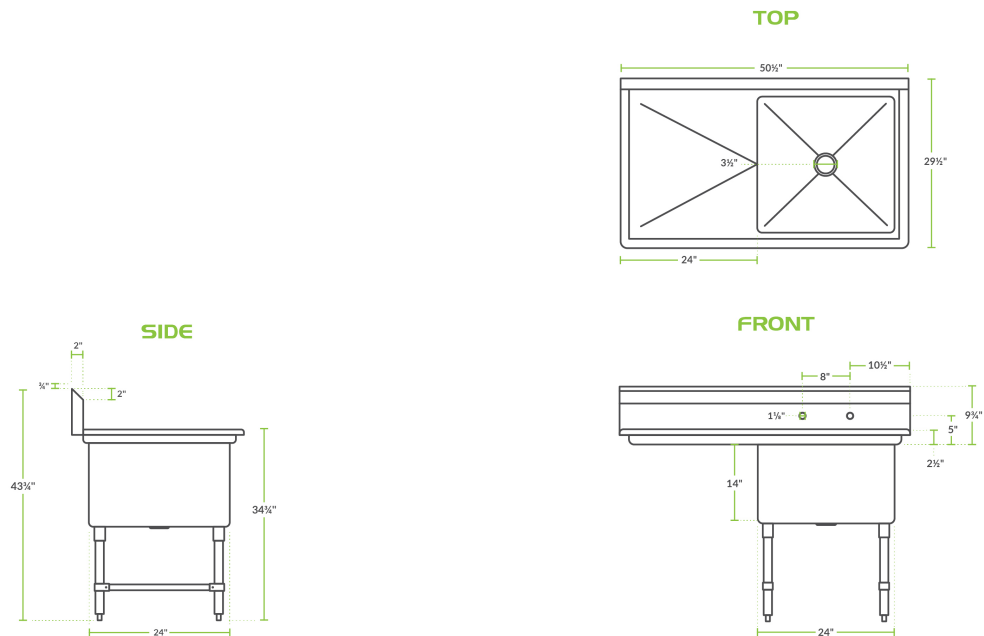
Certifications



Technical Data

Faucet Centers	8 Inches
Features	NSF Listed
Gauge	16 Gauge
Leg Construction	Stainless Steel
Material	Stainless Steel
Number of Compartments	1 Compartment
Number of Drainboards	1 Drainboard
Stainless Steel Type	Type 304
Style	1 Drainboard

Plan View



Notes & Details

Outfit your facility with a long-lasting sink with this Regency 50 1/2" stainless steel one compartment sink with 1 drainboard. It's constructed from high-quality, 16-gauge type 304 stainless steel, making it more corrosion-resistant and durable than other sinks made from thinner, 18-gauge type 430 stainless steel. This sink features a sturdy, 24" drainboard so you can easily wash and dry dishes and utensils in one convenient location. It's dipped a minimum of 1/4" to facilitate better drainage, and the welded construction contributes to the long-lasting use and overall strength of this sink / drainboard combo.

The 14" deep bowl is die-stamped to a minimum of 1/4" to ensure proper drainage. Plus, it includes a 3 1/2" basket strainer to catch food debris, which prevents the drain from clogging. For easy cleaning, the compartment has rounded corners so you can rinse and wipe down the sink.

A 9" tall backplash is included and comes complete with (2) 1 1/8" diameter holes punched on 8" centers to accommodate 1 faucet (sold separately). This sink also includes a 1 1/2" raised rolled edge, which is 2" tall on the front and both sides to contain splashes and overflow. The legs are constructed of 1 5/8" diameter stainless steel with stainless steel cross-bracing and adjustable plastic feet for added stability. These features serve to prolong the life of your sink while adding exceptional strength to the unit.

 **WARNING:** This product can expose you to chemicals including lead, which are known to the State of California to cause cancer, birth defects, or other reproductive harm. For more information, go to www.p65warnings.ca.gov.