



## Regency 50 1/2" 16 Gauge Stainless Steel One Compartment Commercial Sink with Galvanized Steel Legs and 1 Drainboard - 24" x 24" x 14" Bowl - Right Drainboard

#60S1242424GR



### Technical Data

|                     |               |
|---------------------|---------------|
| Length              | 50 1/2 Inches |
| Width               | 29 1/2 Inches |
| Height              | 43 3/4 Inches |
| Drainboard Length   | 24 Inches     |
| Bowl Depth          | 14 Inches     |
| Backsplash Height   | 9 Inches      |
| Work Surface Height | 34 3/4 Inches |
| Basket Drain Size   | 3 1/2 Inches  |
| Bowl Front to Back  | 24 Inches     |
| Bowl Left to Right  | 24 Inches     |

### Features

- Made of high-quality 16 gauge, type 304 stainless steel
- Designed with a 14" deep bowl and rounded corners for easy cleaning
- Galvanized steel legs and adjustable plastic bullet feet provide stability
- Includes a 24" drainboard and 3 1/2" drain basket
- Backsplash and rolled edges prevent splashes and overflow

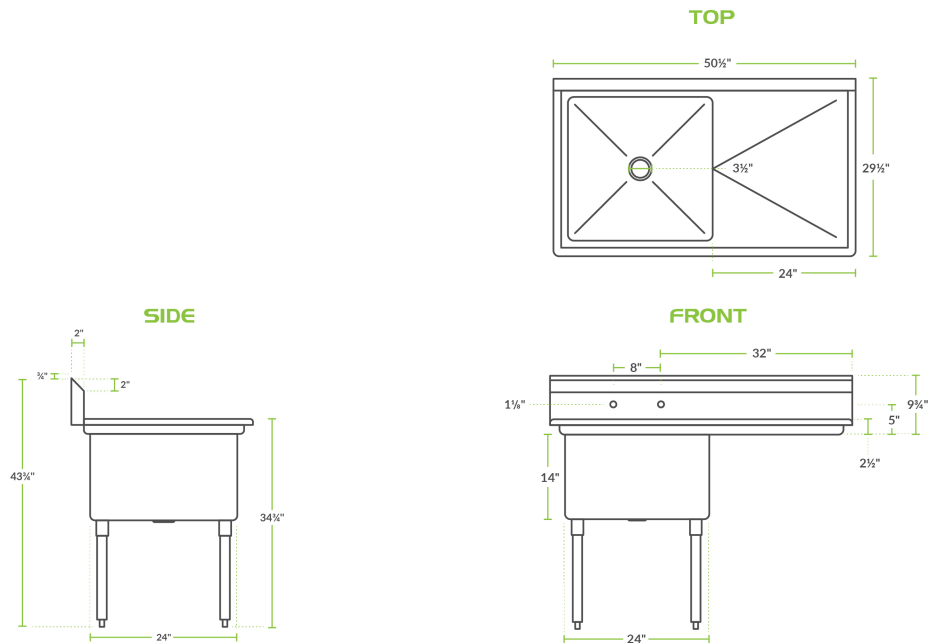
### Certifications



## Technical Data

|                        |                  |
|------------------------|------------------|
| Faucet Centers         | 8 Inches         |
| Features               | NSF Listed       |
| Gauge                  | 16 Gauge         |
| Leg Construction       | Galvanized Steel |
| Material               | Stainless Steel  |
| Number of Compartments | 1 Compartment    |
| Number of Drainboards  | 1 Drainboard     |
| Stainless Steel Type   | Type 304         |
| Style                  | 1 Drainboard     |

## Plan View



## Notes & Details

Outfit your facility with a long-lasting sink with this Regency 50 1/2" stainless steel one compartment sink with 1 drainboard. It's constructed from high-quality, 16-gauge type 304 stainless steel, making it more corrosion-resistant and durable than other sinks made from thinner, 18-gauge type 430 stainless steel. This sink features a sturdy, 24" drainboard so you can easily wash and dry dishes and utensils in one convenient location. It's dipped a minimum of 1/4" to facilitate better drainage, and the welded construction contributes to the long-lasting use and overall strength of this sink / drainboard combo.

The 14" deep bowl is die-stamped to a minimum of 1/4" to ensure proper drainage. Plus, it includes a 3 1/2" basket strainer to catch food debris, which prevents the drain from clogging. For easy cleaning, the compartment has rounded corners so you can rinse and wipe down the sink.

A 9" tall backsplash is included and comes complete with (2) 1 1/8" diameter holes punched on 8" centers to accommodate 1 faucet (sold separately). This sink also includes a 1 1/2" raised rolled edge, which is 2" tall on the front and both sides to contain splashes and overflow. Galvanized steel legs with sockets and adjustable bullet feet provide added stability.

**WARNING:** This product can expose you to chemicals including lead, which are known to the State of California to cause cancer, birth defects, or other reproductive harm. For more information, go to [www.p65warnings.ca.gov](http://www.p65warnings.ca.gov).