



Regency 16 Gauge Stainless Steel One Compartment Commercial Sink with Galvanized Steel Legs and 1 Drainboard - 23" x 23" x 12" Bowl - Right Drainboard

#60S1232324GR



Technical Data

Length	49 1/2 Inches
Width	28 1/2 Inches
Height	43 3/4 Inches
Drainboard Length	24 Inches
Bowl Depth	12 Inches
Work Surface Height	34 3/4 Inches
Basket Drain Size	3 1/2 Inches
Bowl Front to Back	23 Inches
Bowl Left to Right	23 Inches
Faucet Centers	8 Inches

Features

- Made of high-quality 16 gauge, type 304 stainless steel
- Designed with a 12" deep bowl and rounded corners for easy cleaning
- Galvanized steel legs and adjustable plastic bullet feet provide stability
- Includes a 3 1/2" basket strainer with 1 1/2" IPS drain connection
- Backsplash and rolled edges prevent splashes and overflow

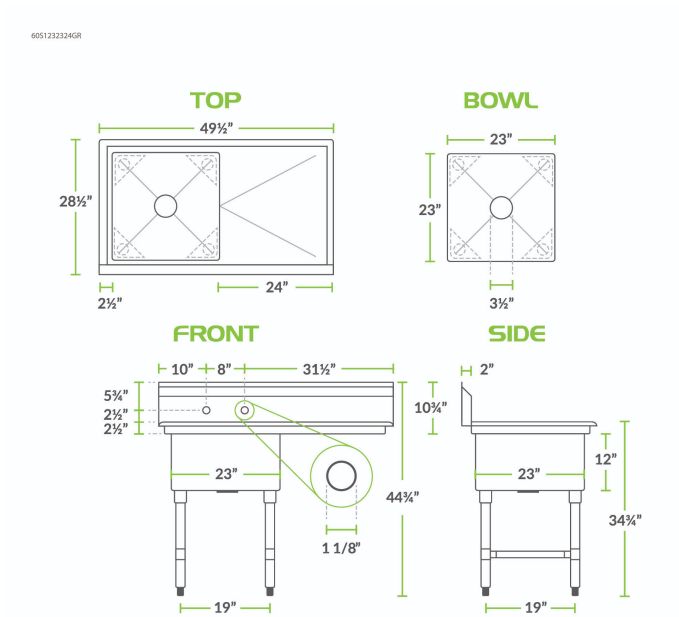
Certifications



Technical Data

Features	NSF Listed
Gauge	16 Gauge
Leg Construction	Galvanized Steel
Material	Stainless Steel
Number of Compartments	1 Compartment
Number of Drainboards	1 Drainboard
Stainless Steel Type	Type 304
Style	1 Drainboard
Type	Straight / Line Sinks

Plan View



Notes & Details

Wash, prep, or clean with ease when you use this 49 1/2" one compartment commercial utility sink with one 24" drainboard from Regency Tables and Sinks. Made of high-quality 16 gauge, type 304 stainless steel for reliable service, this gauge is thicker and much more durable than many similar sinks available. Additionally, type 304 stainless steel is exceptionally corrosion-resistant and easy to clean!

The compartment offers rounded corners and ample space to either wash, rinse, or sanitize your items as needed. In addition, the drain includes a 3 1/2" basket strainer to eliminate the possibility of clogging. By regularly maintaining your drainage system, you will cut down on possible service and replacement costs.

Thanks to the high backsplash, water splashes will be confined inside the sink and then directly drip down into the drain. This added feature helps maintain the integrity of your wall and floor to keep your establishment in its best condition. Plus, this sink has two holes pre-punched on 8" centers to accept the faucet of your choice (sold separately). This model has galvanized steel legs and plastic bullet feet to keep the sink level and stable.

WARNING: This product can expose you to chemicals including lead, which are known to the State of California to cause cancer, birth defects, or other reproductive harm. For more information, go to www.p65warnings.ca.gov.