



## Regency 38 1/2" 16-Gauge Stainless Steel One Compartment Commercial Sink with Stainless Steel Legs and 1 Drainboard - 18" x 18" x 14" Bowl - Left Drainboard

#60S1181818XL



### Technical Data

Length	38 1/2 Inches
Width	23 1/2 Inches
Height	44 3/4 Inches
Drainboard Length	18 Inches
Bowl Depth	14 Inches
Backsplash Height	10 Inches
Work Surface Height	34 3/4 Inches
Basket Drain Size	3 1/2 Inches
Bowl Front to Back	18 Inches
Bowl Left to Right	18 Inches

### Features

- Features a durable 16-gauge, type 304 stainless steel construction
- Designed with a 14" deep bowl with rounded corners for easy cleaning
- 3 1/2" basket strainer with 1 1/2" IPS drain connection
- Includes a 3 1/2" basket strainer with 1 1/2" IPS drain connection
- Backsplash and rolled edges prevent splashes and overflow

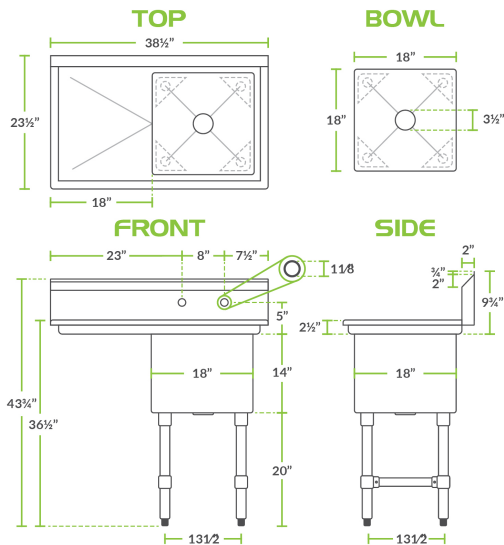
### Certifications



## Technical Data

Drain Outlet Size	1 1/2 Inches
Faucet Centers	8 Inches
Features	NSF Listed
Gauge	16 Gauge
Leg Construction	Stainless Steel
Material	Stainless Steel
Number of Compartments	1 Compartment
Number of Drainboards	1 Drainboard
Stainless Steel Type	Type 304
Style	1 Drainboard
Type	Straight / Line Sinks

## Plan View




## Notes & Details

Ideal for washing pots or prepping food, this Regency 38 1/2" 1 compartment sink with drainboard is a great addition to your busy commercial kitchen. It's constructed from high-quality, 16-gauge, type 304 stainless steel, making it more corrosion-resistant and durable than other sinks made from thinner, 18-gauge material. This sink also features a drainboard so you can easily wash and dry dishes and utensils in one convenient location. Welded construction also contributes to the long-lasting use and overall strength of this sink / drainboard combo.

The 14" deep bowl is die-stamped to a minimum of 1/4" to ensure proper drainage. Plus, it includes a 3 1/2" basket strainer to catch food debris, which prevents the drain from clogging. For easy cleaning, the compartment has rounded corners so you can rinse and wipe down the sink.

A 9 3/4" tall backsplash is included with (2) 1 1/8" diameter holes punched on 8" centers for a faucet (sold separately). This sink also comes complete with a 1 1/2" raised rolled edge, which is 2" tall on the front and both sides to contain splashes and overflow. The legs are constructed of 1 5/8" diameter stainless steel cross-bracing and stainless steel bullet feet for added stability.

 **WARNING:** This product can expose you to chemicals including Lead and Nickel, which are known to the State of California to cause cancer, birth defects, or other reproductive harm. For more information, go to [www.p65warnings.ca.gov](http://www.p65warnings.ca.gov).