

REGENCY
Tables and Sinks

Regency 38 1/2" 16-Gauge Stainless Steel One Compartment Commercial Sink with Galvanized Legs and 1 Drainboard - 18" x 18" x 14" Bowl - Right Drainboard

#60S1181818GR



Technical Data

Length	38 1/2 Inches
Width	23 1/2 Inches
Height	44 3/4 Inches
Bowl Depth	14 Inches
Backsplash Height	9 3/4 Inches
Work Surface Height	34 3/4 Inches
Basket Drain Size	3 1/2 Inches
Bowl Front to Back	18 Inches
Bowl Left to Right	18 Inches
Faucet Centers	8 Inches

Features

- Made of high-quality 16 gauge, type 304 stainless steel
- Designed with a 14" deep bowl with rounded corners for easy cleaning
- Galvanized steel legs and adjustable plastic bullet feet provide stability
- Includes a 3 1/2" basket strainer with 1 1/2" IPS drain connection
- Backsplash and rolled edges prevent splashes and overflow

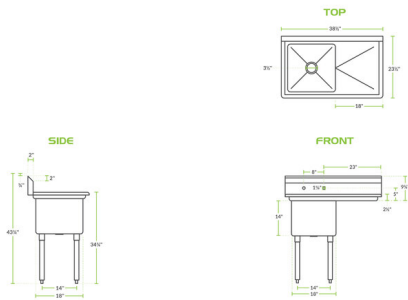
Certifications



Technical Data

Features	NSF Certified
Gauge	16 Gauge
Leg Construction	Galvanized Steel
Material	Stainless Steel
Number of Compartments	1 Compartment
Number of Drainboards	1 Drainboard
Stainless Steel Type	Type 304
Style	1 Drainboard

Plan View



Notes & Details

Ideal for washing pots or prepping food, this Regency 38 1/2" 1 compartment sink with drainboard is a great addition to your busy commercial kitchen. It's made from high-quality, 16-gauge type 304 stainless steel, making it more corrosion-resistant and durable than other sinks made from thinner, 18-gauge material. This sink also features a drainboard so you can easily wash and dry dishes and utensils in one convenient location. It's dipped a minimum of 1/4" to facilitate better drainage, and the welded construction contributes to the long-lasting use and overall strength of this sink / drainboard combo.

The 14" deep bowl is die-stamped to a minimum of 1/4" to ensure proper drainage. Plus, it includes a 3 1/2" basket strainer to catch food debris, which prevents the drain from clogging. For easy cleaning, the compartment has rounded corners so you can rinse and wipe down the sink.

A 9 3/4" tall backsplash is included with (2) 1 1/8" diameter holes punched on 8" centers for a faucet (sold separately). This sink also comes complete with a 1 1/2" raised rolled edge, which is 2" tall on the front and both sides to contain splashes and overflow. The legs are made from 1 5/8" diameter galvanized steel, with plastic bullet feet that adjust to keep your sink level on installation.