

**REGENCY**  
Tables and Sinks

**Regency 30" x 72" 16 Gauge 304 Stainless Steel Commercial Open Base Work Table**

#600WT30X72SS



**Technical Data**

|                     |  |
|---------------------|--|
| Length              | 72 Inches  |
| Width               | 30 Inches  |
| Height              | 34 Inches  |
| Work Surface Height | 34 Inches  |
| Backsplash          | Without Backsplash                                 |
| Configuration       | Straight   |
| Features            | ADA Compliant<br>Customizable Height<br>NSF Listed |
| Gauge               | 16 Gauge   |

**Features**

- 16 gauge type 304 stainless steel top offers greater durability and corrosion-resistance than type 4
- 1 5/8" stainless steel legs with adjustable plastic bullet feet
- Holds approximately 640 lb.
- Four legs for even weight distribution
- Ideal for a variety of floor layouts

**Certifications**



NSF Listed

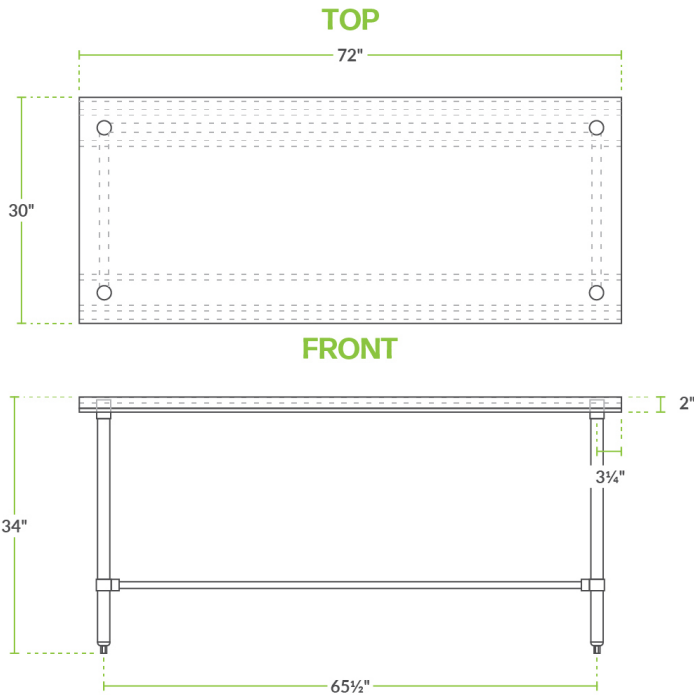


ADA Compliant

## Technical Data

|                      |                 |
|----------------------|-----------------|
| Leg Construction     | Stainless Steel |
| Number of Legs       | 4 Legs          |
| Size                 | 30" x 72"       |
| Stainless Steel Type | Type 304        |
| Table Style          | Open Base       |
| Tabletop Material    | Stainless Steel |
| Top Capacity         | 640 lb.         |
| Usage                | Standard Duty   |

## Plan View



## Notes & Details

Add valuable countertop work space to your kitchen with this commercial open base 30" x 72" work table. Constructed from durable, easy-to-clean 16 gauge 304-series stainless steel, it is thicker and sturdier than 18 gauge work tables. Plus, it is corrosion-resistant and especially suited for damp environments to ensure a long service life.

Boasting a maximum weight capacity of approximately 640 lb. and a working height of 34", this work table will provide dependable space for food preparation and other tasks within your commercial kitchen. For additional stability and even weight distribution, this open base commercial work table features 1 1/4" diameter stainless steel bracing and four 1 5/8" diameter tubular stainless steel legs with adjustable bullet feet.

**⚠ WARNING:** This product can expose you to chemicals including Lead and Nickel, which are known to the State of California to cause cancer, birth defects, or other reproductive harm. For more information, go to [www.p65warnings.ca.gov](http://www.p65warnings.ca.gov).