



## Regency 30" x 120" 16-Gauge 304 Stainless Steel Commercial Open Base Work Table with 4" Backsplash

#600WT30120BS



### Technical Data

Length	120 Inches
Width	30 Inches
Height	38 Inches
Backsplash Height	4 Inches
Work Surface Height	34 Inches
Backsplash	With Backsplash
Configuration	Straight
Features	ADA Compliant Customizable Height NSF Listed

### Features

- 16-gauge type 304 stainless steel top offers greater durability and corrosion-resistance than type 430
- Features a 4" backsplash with 1" return
- 840 lb. weight capacity
- Boasts a 30" x 120" work surface
- Open base allows for additional storage space

### Certifications



NSF Listed

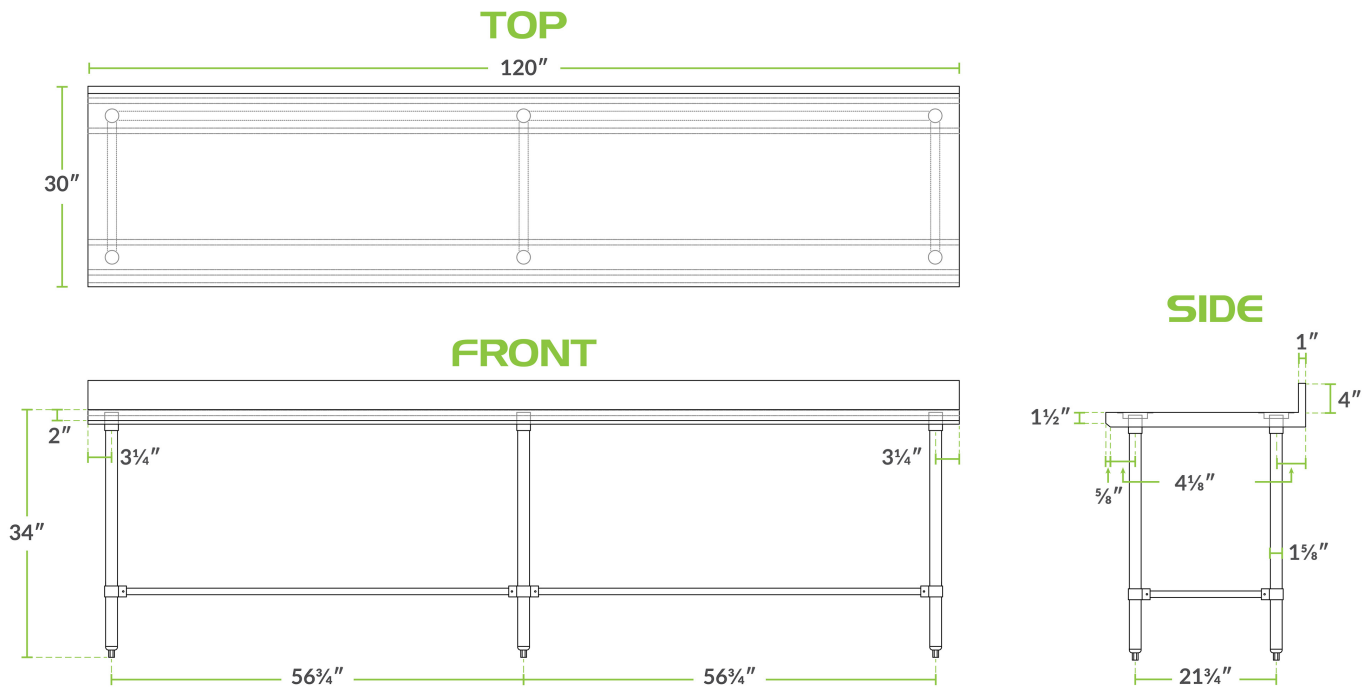


ADA Compliant

## Technical Data

Gauge	16 Gauge
Leg Construction	Stainless Steel
Number of Legs	6 Legs
Size	30" x 120"
Stainless Steel Type	Type 304
Table Style	Open Base
Tabletop Material	Stainless Steel
Top Capacity	840 lb.
Usage	Standard Duty

## Plan View



## Notes & Details

This Regency 30" x 120" stainless steel commercial open base work table is a versatile addition to your kitchen. Constructed from durable, easy-to-clean 16-gauge, 304-series stainless steel, this work table offers superior corrosion resistance and durability compared to other work tables made of 18-gauge stainless steel. Due to its all-stainless steel construction, it's built to withstand the daily tasks in your restaurant, cafe, or bakery. Great for rolling out dough or chopping fruits and vegetables, you can provide your staff with additional work space to complete tasks efficiently. To protect your walls during food prep, this work table features a 4" backsplash with a 1" return.

With the ability to hold up to 1300 lb. of evenly distributed weight and an open base that allows for additional storage, you can make the most of the space in your kitchen. Plus, a height of 34" allows you to create a comfortable work station for your employees. For increased stability, this work table includes 1 1/4" diameter stainless steel cross bracing and (6) 1 5/8" diameter stainless steel legs. Adjustable, stainless steel bullet feet allow you set up your table to best fit your needs.

**WARNING:** This product can expose you to chemicals including Lead and Nickel, which are known to the State of California to cause cancer, birth defects, or other reproductive harm. For more information, go to [www.p65warnings.ca.gov](http://www.p65warnings.ca.gov).