

REGENCY
Tables and Sinks

Regency 24" x 24" 16-Gauge 304 Stainless Steel Commercial Open Base Work Table

#600WT24X24SS



Technical Data

Length	24 Inches
Width	24 Inches
Height	34 Inches
Work Surface Height	34 Inches
Backsplash	Without Backsplash
Base Style	Open
Configuration	Straight
Features	ADA Compliant NSF Listed
Gauge	16 Gauge

Features

- Durable, corrosion-resistant 16-gauge type 304 stainless steel top
- 1 5/8" galvanized legs and adjustable bullet feet
- Holds approximately 500 lb.
- Open top with no backsplash, easy-to-clean surface
- Designed for small spaces or stand-alone installations

Certifications



NSF Listed

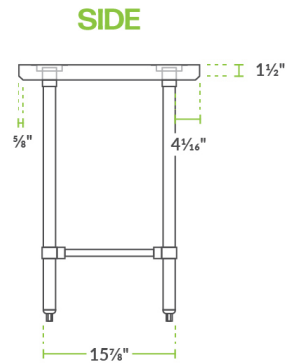
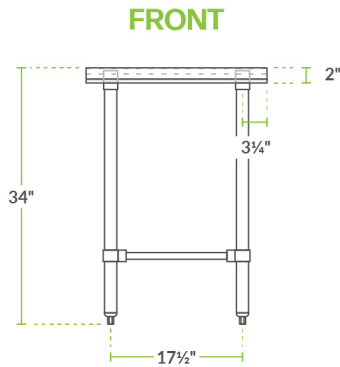
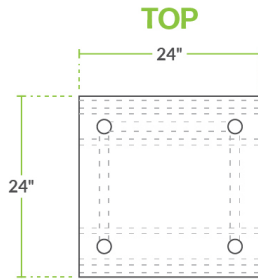


ADA Compliant

Technical Data

Leg Construction	Galvanized Steel
Size	24" x 24"
Stainless Steel Type	Type 304
Tabletop Material	Stainless Steel
Top Capacity	500 lb.
Usage	Standard Duty

Plan View



Notes & Details

This Regency 24" x 24" stainless steel commercial open base work table is a versatile addition to your kitchen. Made from durable, easy-to-clean 16-gauge 304-series stainless steel, this work table offers superior corrosion resistance and added durability over other work tables made of 18-gauge stainless steel. And due to its all-stainless steel construction, it can withstand a wide range of tasks in your restaurant, cafe, or bakery. It's a great option for rolling out dough or chopping fruits and vegetables, providing your staff with additional work space to complete tasks efficiently.

This table can hold up to 500 lb. of evenly distributed weight and features an open base that allows you to store tall items underneath the table. For increased stability, it includes stainless steel cross bracing with aluminum corner brackets. The legs of this work table are 1 5/8" in diameter and feature adjustable stainless steel feet, allowing you to account for uneven floors and keep your work surface level.

⚠️ WARNING: This product can expose you to chemicals including lead, which are known to the State of California to cause cancer, birth defects, or other reproductive harm. For more information, go to www.p65warnings.ca.gov.