



Regency 24" x 24" 16-Gauge 304 Stainless Steel Commercial Open Base Work Table with 4" Backsplash

#600WT24X24BS



Technical Data

| | |
|---------------------|-----------------------------|
| Length | 24 Inches |
| Width | 24 Inches |
| Height | 38 Inches |
| Backsplash Height | 4 Inches |
| Work Surface Height | 34 Inches |
| Backsplash | With Backsplash |
| Base Style | Open |
| Configuration | Straight |
| Features | ADA Compliant NSF Listed |

Features

- Durable, corrosion-resistant 16-gauge type 304 stainless steel top
- 1 5/8" galvanized legs and adjustable bullet feet
- Holds approximately 500 lb.
- 4" backsplash to prevent spills, easy-to-clean surface
- Designed for small spaces or stand-alone installations

Certifications



NSF Listed

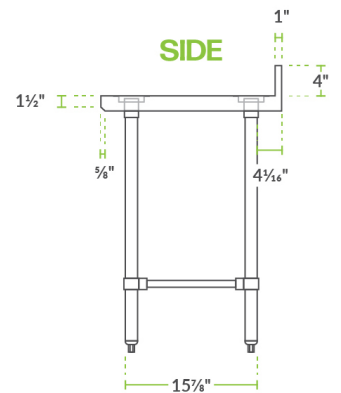
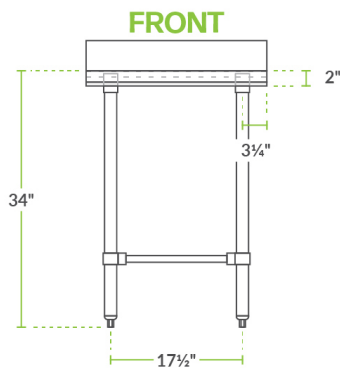
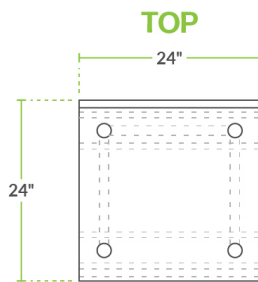
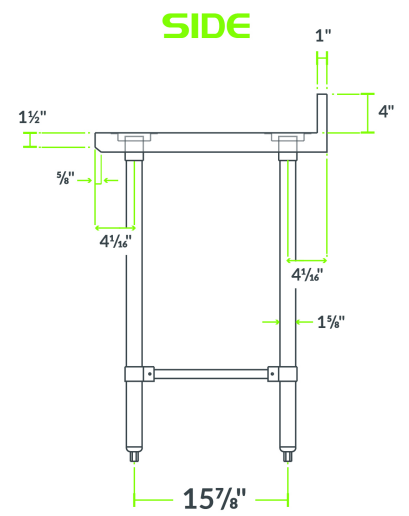
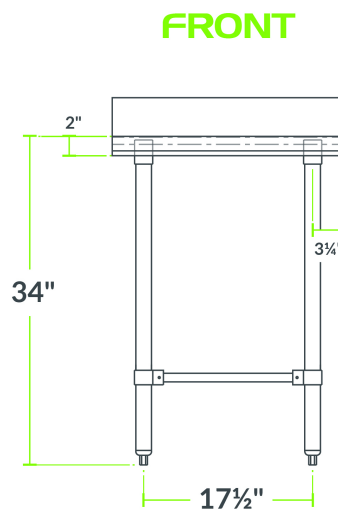
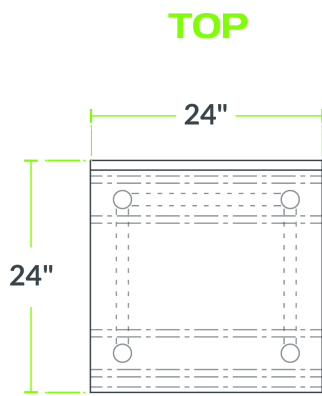


ADA Compliant

Technical Data

| | |
|----------------------|------------------|
| Gauge | 16 Gauge |
| Leg Construction | Galvanized Steel |
| Size | 24" x 24" |
| Stainless Steel Type | Type 304 |
| Tabletop Material | Stainless Steel |
| Top Capacity | 500 lb. |
| Type | Filler Tables |
| Usage | Standard Duty |

Plan View



Notes & Details

This Regency 24" x 24" stainless steel commercial open base work table is a versatile addition to your kitchen. Made from durable, easy-to-clean 16-gauge 304-series stainless steel, this work table offers superior corrosion resistance and added durability over other work tables made of 18-gauge stainless steel. And due to its all-stainless steel construction, it can withstand a wide range of tasks in your restaurant, cafe, or bakery. It's a great option for rolling out dough or chopping fruits and vegetables, providing your staff with additional work space to complete tasks efficiently. To protect your walls during food prep, this work table also features a 4" backsplash.

This table can hold up to 500 lb. of evenly distributed weight and features an open base that allows you to store tall items underneath the table. For increased stability, it includes stainless steel cross bracing with aluminum corner brackets. The legs of this work table are 1 5/8" in diameter and feature adjustable stainless steel feet, allowing you to account for uneven floors and keep your work surface level.

 **WARNING:** This product can expose you to chemicals including lead, which are known to the State of California to cause cancer, birth defects, or other reproductive harm. For more information, go to www.p65warnings.ca.gov.