



Regency 60" Stainless Steel Bussing / Waitress Station with Pan Holder

#600WST1560



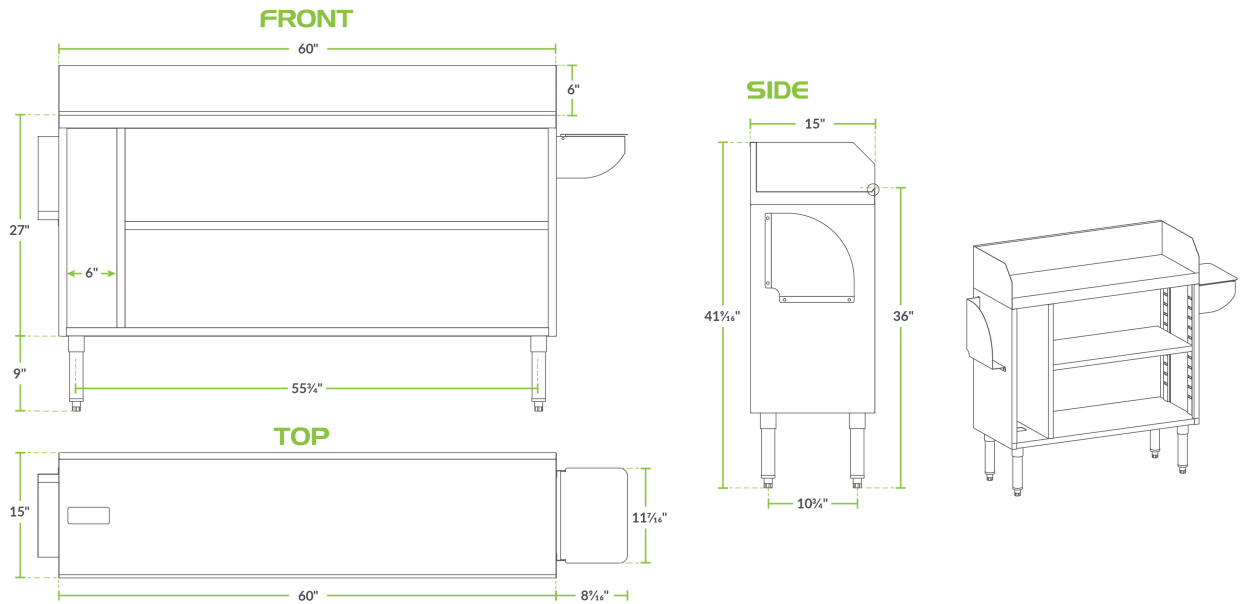
Technical Data

Length	60 Inches
Width	15 Inches
Height	36 Inches
Material	Stainless Steel
Type	Bussing Stations Server Stations

Features

- Provides convenient storage for glassware and flatware
- Perfect for busy restaurants, bars, and banquet halls
- Durable type 304 stainless steel exterior
- Easy-to-clean surface
- 300 lb. top shelf and bottom shelf weight capacity; 200 lb. middle shelf weight capacity

Plan View



Notes & Details

Add value and versatility to your busy dining establishment with this Regency 60" stainless steel bussing / waitress station. This waitress station is perfect for keeping silverware and glassware organized for all your servers. With plenty of storage space and a convenient, adjustable intermediate shelf, this station maximizes the space and efficiency of your business. The station even features a special compartment to make room for vertical tray storage. It also doubles as a sleek station for staff and lends a professional touch to any dining area. This durable stainless steel waitress station resists scratches and water damage from spills or condensation.

With the ability to hold up to 300 lb. of evenly distributed weight on the top shelf and bottom shelf, and up to 200 lb. on the middle shelf, this waitress station provides additional storage options in tight work spaces. It features a menu holder on the left side, and a pan holder on the right side for easy organization. This waitress station can also be easily wiped down at the end of the day. The versatility of this Regency waitress station makes it perfect for an industrial space, craft brew pub, contemporary restaurant, rustic bar, or bistro dining area.

⚠️ WARNING: This product can expose you to chemicals including lead, which are known to the State of California to cause cancer, birth defects, or other reproductive harm. For more information, go to www.p65warnings.ca.gov.