

**REGENCY**  
Tables and Sinks

**Regency 48" Stainless Steel Bussing / Waitress Station with Pan Holder and Sink Bowl**

#600WST1548SB



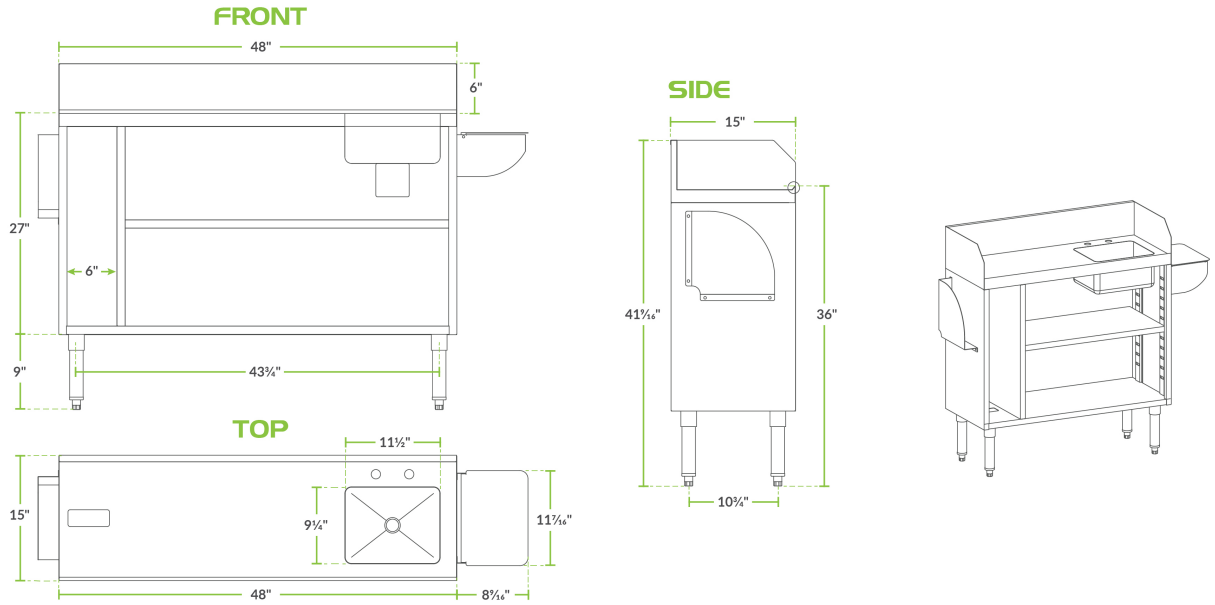
**Technical Data**

Length	48 Inches
Width	15 Inches
Height	36 Inches
Compartment Length	11 1/2 Inches
Compartment Width	9 1/4 Inches
Compartment Height	6 Inches
Material	Stainless Steel
Stainless Steel Type	Type 430
Type	Bussing Stations Server Stations

**Features**

- Provides convenient storage for glassware and flatware
- Perfect for busy restaurants, bars, and banquet halls
- Durable 18 gauge type 304 stainless steel top shelf and type 430 frame and midshelf
- Drop-in stainless steel sink with 1 1/2" drain
- 300 lb. top shelf and bottom shelf weight capacity; 200 lb. middle shelf weight capacity

Plan View



Notes & Details

Add value and versatility to your busy dining establishment with this Regency 48" stainless steel bussing / waitress station. This waitress station is perfect for keeping silverware and glassware organized for all your servers. With plenty of storage space and a convenient, adjustable intermediate shelf, this station maximizes the space and efficiency of your business. The station even features a special compartment to make room for vertical tray storage. It also doubles as a sleek station for staff and lends a professional touch to any dining area. The 11 1/2" x 9 1/4" stainless steel sink bowl features a 1 1/2" drain with 4" faucet mounts, providing a convenient space to place dirty dishes and flatware. This durable stainless steel waitress station resists scratches and water damage from spills or condensation.

With the ability to hold up to 300 lb. of evenly distributed weight on the top shelf and bottom shelf, and up to 200 lb. on the middle shelf, this waitress station provides additional storage options in tight work spaces. It features a menu holder on the left side, and a pan holder on the right side for easy organization. In addition, the sink bowl can hold dishes and silverware, and the drain carries any liquid waste to prevent spills and contain messes. This waitress station can also be easily wiped down at the end of the day. The versatility of this Regency waitress station makes it perfect for an industrial space, craft brew pub, contemporary restaurant, rustic bar, or bistro dining area.

**WARNING:** This product can expose you to chemicals including lead, which are known to the State of California to cause cancer, birth defects, or other reproductive harm. For more information, go to [www.p65warnings.ca.gov](http://www.p65warnings.ca.gov).