

REGENCY
Tables and Sinks

Regency 1 Bowl Underbar Hand Sink - 18 3/4" x 12"

#600UHS1812



Technical Data

Length	12 Inches
Width	18 3/4 Inches
Height	33 Inches
Backsplash Height	3 Inches
Bowl Height	10 Inches
Backsplash	With Backsplash
Bowl Front to Back	14 Inches
Bowl Left to Right	10 Inches
Faucet Centers	4 Inches
Gauge	18 - 20 Gauge

Features

- 18 gauge type 304 stainless steel top, bowl, and backsplash
- 20 gauge type 304 stainless steel apron; galvanized steel legs and sockets with plastic bullet feet
- 1 7/8" drain with a 1 1/2" drain basket
- Holes punched on 4" centers accommodate a wall mount faucet (sold separately)
- 3" high backsplash helps protect walls and contain splashes

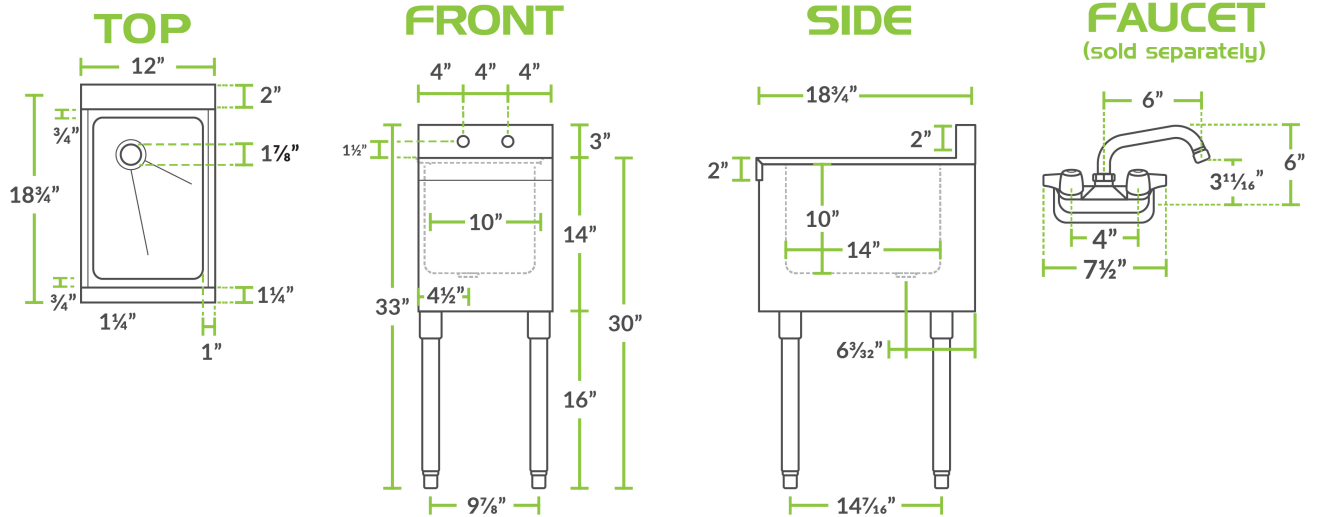
Certifications



Technical Data

Features	Massachusetts Accepted Plumbing Product NSF Listed
Leg Construction	Galvanized Steel
Material	Stainless Steel
Number of Compartments	1 Compartment
Number of Drainboards	None
Stainless Steel Type	Type 304
Type	Hand Sinks

Plan View



Notes & Details

Encourage good hygiene and proper sanitation habits in your bar or restaurant with this Regency one bowl underbar hand sink! This sink features a 3" high backsplash that helps protect walls and contain splashes for a cleaner, safer work environment. Thanks to the holes punched on 4" centers, you can pick virtually any wall mount faucet that meets your needs, whether it be rigid or swivel, or with a swing or gooseneck nozzle!

This underbar sink boasts an 18 gauge type 304 stainless steel top, bowl, and backsplash that combines with a 20 gauge type 304 stainless steel apron to provide you with a durable handwashing station! It is reliably supported by four galvanized steel legs and sockets with plastic bullet feet. For added convenience, this Regency hand sink comes with a 1 1/2" drain basket that fits perfectly into the 1 7/8" drain! Faucet sold separately.

⚠ WARNING: This product can expose you to chemicals including Lead and Nickel, which are known to the State of California to cause cancer, birth defects, or other reproductive harm. For more information, go to www.p65warnings.ca.gov.