

REGENCY
Tables and Sinks

Regency 30" x 30" 16 Gauge Stainless Steel Corner Work Table

#600TSC3030S



Technical Data

Length	38 Inches
Width	37 Inches
Depth	30 Inches
Height	38 Inches
Backsplash Height	4 Inches
Work Surface Height	34 Inches
Backsplash	With Backsplash
Base Style	Undershelf
Configuration	Corner
Gauge	16 Gauge

Features

- Durable 16 gauge, type 304 stainless steel top; 18 gauge, type 430 stainless steel undershelf
- Includes undershelf for convenient storage of plates, utensils, and bowls
- Fits into corner to maximize space
- 4" backsplash on two sides of the unit
- Perfect for food prep

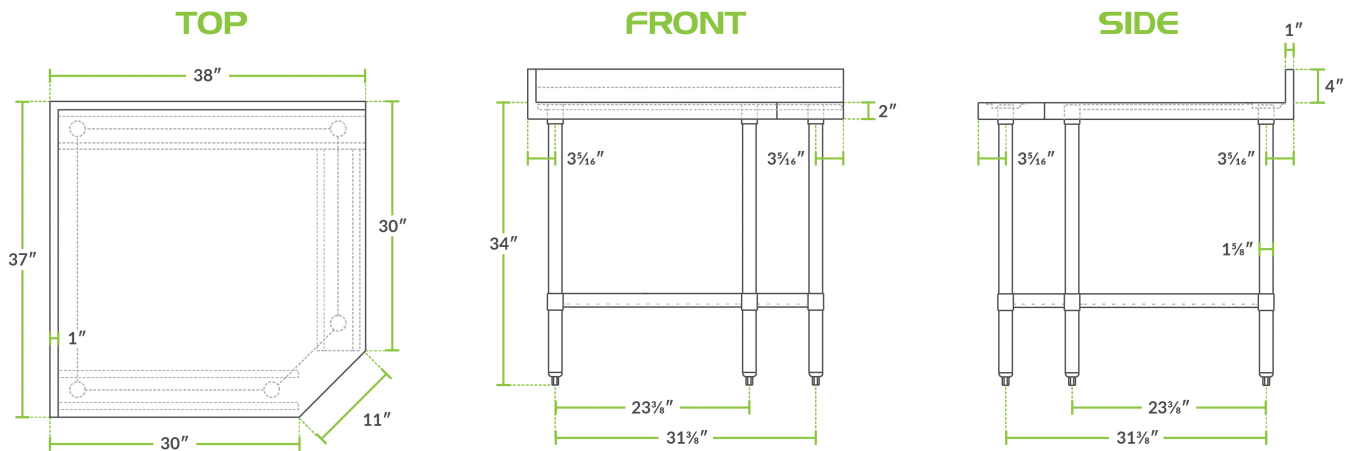
Certifications



Technical Data

Features	NSF Listed With Undershelf
Leg Construction	Stainless Steel
Number of Legs	5 Legs
Size	30" x 30"
Stainless Steel Type	Type 304
Style	Corner
Table Style	Undershelf
Tabletop Material	Stainless Steel
Type	Corner Work Tables
Undershelf Construction	Stainless Steel
Usage	Standard Duty

Plan View



Notes & Details

Make the most of your work space with this Regency 30" x 30" 16 gauge stainless steel corner work table. The top of this work table is constructed from 16 gauge, type 304 stainless steel, while the undershelf is constructed from 18 gauge, type 430 stainless steel. The durable stainless steel construction ensures that this table can withstand the rigors of daily use in a commercial kitchen. For your convenience, this table fits into corners to maximize space in your crowded kitchen.

This table features stainless steel legs and adjustable stainless steel feet. It has a spacious undershelf for convenient storage of plates, utensils, and bowls. Plus, it has a 4" backsplash. Perfect for food prep, this corner work table is an easy addition to your crowded kitchen!

WARNING: This product can expose you to chemicals including lead, which are known to the State of California to cause cancer, birth defects, or other reproductive harm. For more information, go to www.p65warnings.ca.gov.