



## Regency 24" x 48" 16-Gauge Stainless Steel Commercial Work Table with 4" Backsplash and Undershef

#600TSB2448S



### Technical Data

Length	48 Inches
Width	24 Inches
Height	38 Inches
Backsplash Height	4 Inches
Work Surface Height	34 Inches
Backsplash	With Backsplash
Base Style	Undershef
Features	Customizable Height NSF Listed With Undershef

### Features

- 16-gauge type 304 stainless steel top offers greater durability and corrosion-resistance than type 430
- Features a 4" backsplash with 1" return
- Includes a height-adjustable undershef and adjustable feet
- 560 lb. top shelf weight capacity; 340 lb. undershef weight capacity
- Easy-to-clean surface is great for busy commercial kitchens

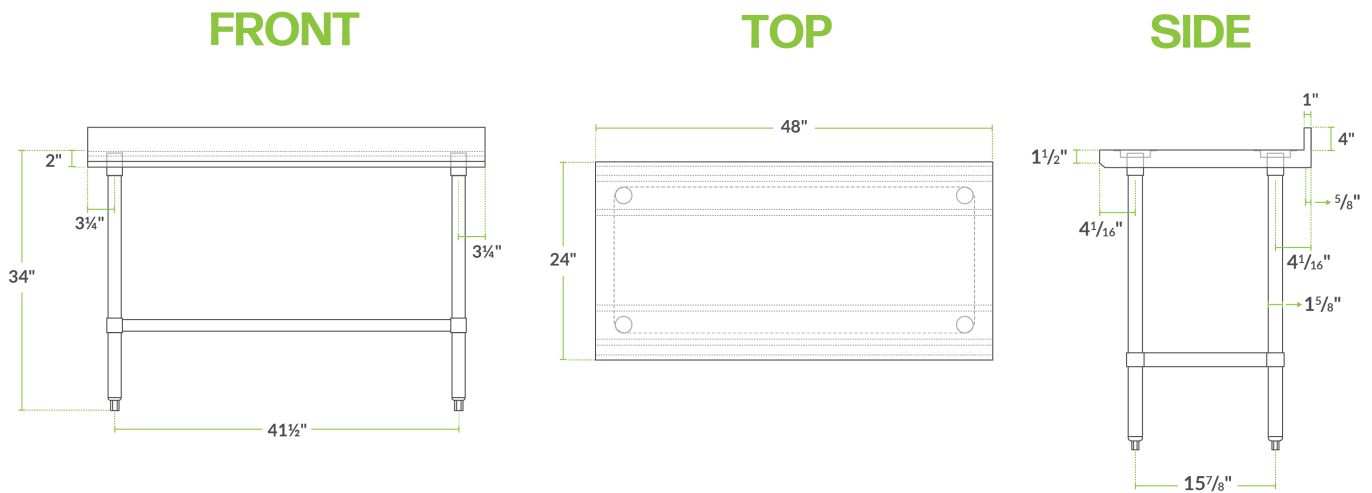
### Certifications



## Technical Data

Gauge	16 Gauge
Leg Construction	Stainless Steel
Number of Legs	4 Legs
Size	24" x 48"
Stainless Steel Type	Type 304
Table Style	Undershelf
Tabletop Material	Stainless Steel
Top Capacity	560 lb.
Undershelf Capacity	340 lb.
Undershelf Construction	Stainless Steel
Usage	Standard Duty

## Plan View




600TSB2448S

## Notes & Details

This Regency 24" x 48" stainless steel commercial work table with backsplash and undershelf is a great addition to busy commercial kitchens. Constructed from durable, easy-to-clean 16-gauge, 304-series stainless steel, this work table offers superior corrosion resistance and durability compared to other work tables in this price range. Due to its all-stainless steel construction, it's built to withstand the daily tasks in your restaurant, cafe, or bakery. To protect your walls during food prep, this work table features a 4" backsplash with a 1" return. Ideal for rolling out dough or chopping fruits and vegetables, it's suitable for a variety of tasks.

The adjustable undershelf is made of 18-gauge, 430-series stainless steel and secured with a set of screws. With the ability to hold up to 560 lb. of evenly distributed weight on the top shelf and 340 lb. on the undershelf, this work table provides additional storage for ingredients and supplies in one convenient location. Plus, a height of 34" allows you to create a comfortable work station for your employees. For increased stability, the legs of this work table are 1 5/8" in diameter and are made of tubular stainless steel with adjustable, stainless steel bullet feet to easily accommodate uneven floors.

 **WARNING:** This product can expose you to chemicals including Lead and Nickel, which are known to the State of California to cause cancer, birth defects, or other reproductive harm. For more information, go to [www.p65warnings.ca.gov](http://www.p65warnings.ca.gov).