



Regency 36" x 36" 16 Gauge Stainless Steel Commercial Work Table with Undershelf

#600TS3636S



Technical Data

Length	36 Inches
Width	36 Inches
Height	34 Inches
Work Surface Height	34 Inches
Backsplash	Without Backsplash
Base Style	Undershelf
Features	Customizable Height NSF Listed With Undershelf
Gauge	16 Gauge

Features

- 16-gauge type 304 stainless steel top offers greater durability and corrosion-resistance than type 430
- Stainless steel undershelf
- Stainless steel legs and hat channels for unparalleled stability
- Bullet feet ensure leveling on uneven surfaces
- Combines unbeatable strength and long-lasting durability

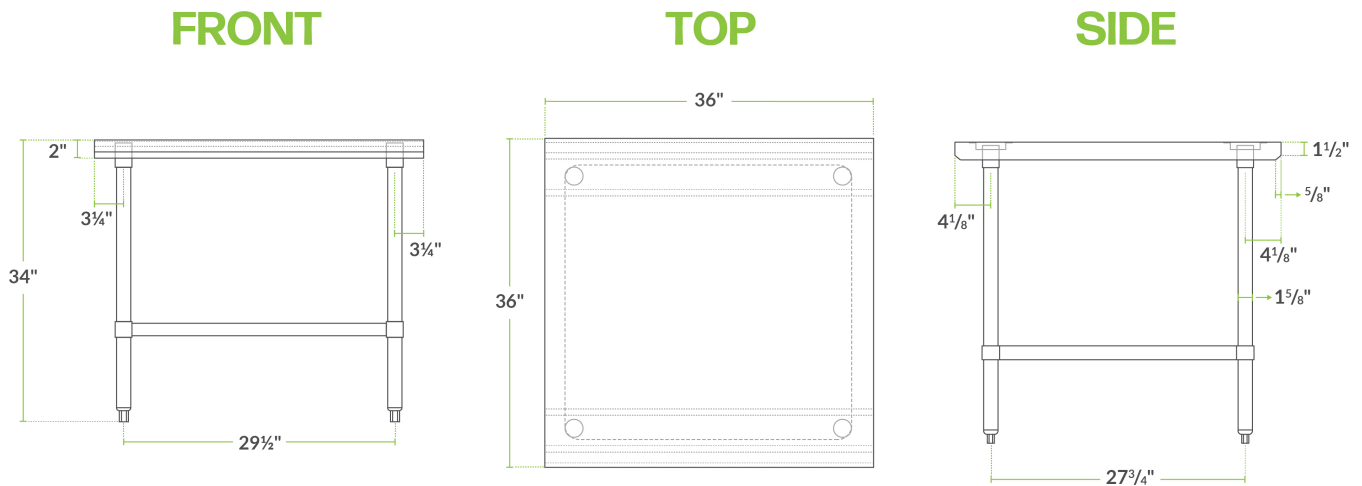
Certifications



Technical Data

Leg Construction	Stainless Steel
Number of Legs	4 Legs
Size	36" x 36"
Stainless Steel Type	Type 304
Table Style	Undershelf
Tabletop Material	Stainless Steel
Top Capacity	600 lb.
Undershelf Capacity	380 lb.
Undershelf Construction	Stainless Steel
Usage	Standard Duty

Plan View



600TS3636S

Notes & Details

With the strength and reliability you've come to expect from Regency series work tables, this 36" x 36" 16 gauge stainless steel table is the solution you've been looking for to complete your commercial kitchen prep area! Ideal for busy kitchens, this work table is easy to maintain thanks to its durable, corrosion resistant material. And, with a smooth, type 304 stainless steel top, the table can be quickly wiped down at the end of a busy shift.

For unparalleled stability, this work table features stainless steel legs and hat channels, as well as stainless steel bullet feet with aluminum die cast leg sockets that allow you to place the table on uneven floors and still remain steady. A stainless steel undershelf provides a convenient place to store scales, cutting boards, food storage boxes, and other small appliances within easy reach. This work table from Regency is a must-have item for any commercial establishment.

⚠ WARNING: This product can expose you to chemicals including Lead and Nickel, which are known to the State of California to cause cancer, birth defects, or other reproductive harm. For more information, go to www.p65warnings.ca.gov.