



## Regency 48" Stainless Steel Table-Mounted Pot Rack with 12 Hooks

#600TMPR48



### Technical Data

Length	48 Inches
Width	22 Inches
Height	50 Inches
Color	Silver
Features	NSF Listed
Material	Stainless Steel
Mounting Style	Table Mounted
Number of Hooks	12 Hooks
Type	Double Rack Racks

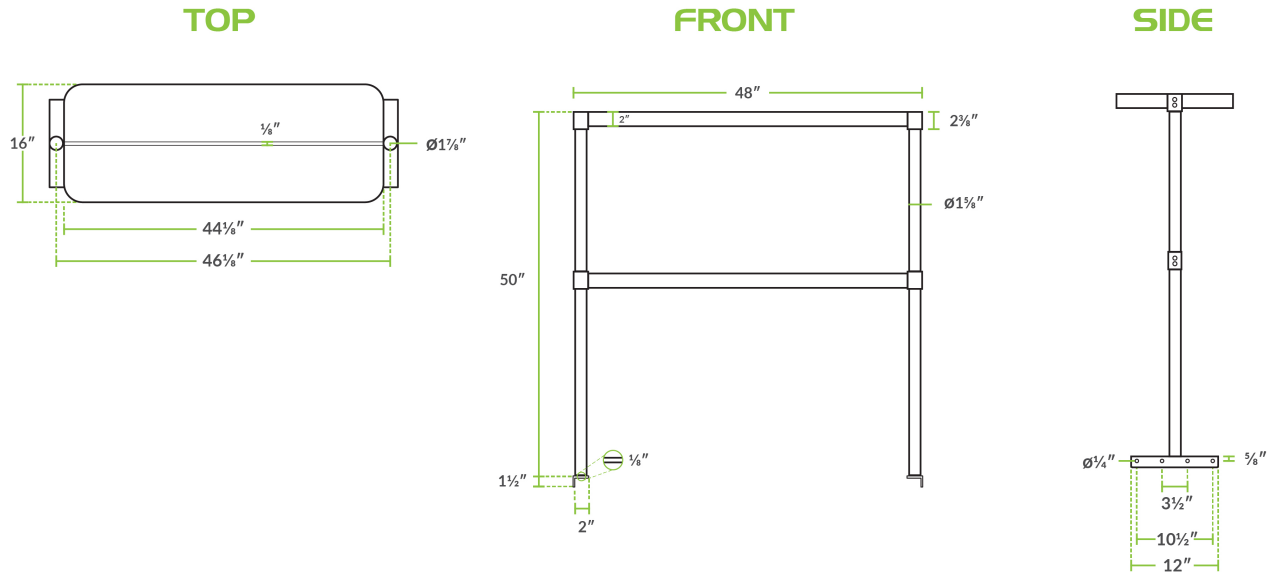
### Features

- Fits 30" and 36" deep tables that are 48" in length
- 16-gauge stainless steel construction
- Includes 12 hooks
- Creates storage space
- Pre-drilled holes make installation easy

### Certifications



## Plan View



## Notes & Details

Add more storage space in your kitchen with this Regency 48" stainless steel table-mounted pot rack. This pot rack is perfect for any large kitchen with its 4' length, allowing you to store a number of pots, pans, and other kitchen utensils within easy reach of your work area. Since the rack attaches directly to your tables, it allows you to utilize the vertical space in your kitchen, rather than using up your valuable counter space. To use ensure optimal stability, simply ensure pots and pans are evenly distributed on both sides.

This pot rack holds even your heaviest pots, pans, and utensils thanks to its 16-gauge stainless steel construction. This durability allows you to easily mount it to the outer edges of your tables with the provided screws. The 12 included pot hooks are removable, so you can arrange your kitchen according to your needs. Thanks to the stainless steel construction and simple design, this rack is NSF Listed. This ensures it's easy to quickly clean off any grease, dust, or food splatters that might land on your pot rack. This pot rack works with 30" and 36" deep tables that are 48" in length.

**⚠ WARNING:** This product can expose you to chemicals including lead, which are known to the State of California to cause cancer, birth defects, or other reproductive harm. For more information, go to [www.p65warnings.ca.gov](http://www.p65warnings.ca.gov).