



Regency 30" x 24" 18 Gauge Type 304 Stainless Steel Filler Table with Drop-In Sink

#600TBSDM1840



Technical Data

Length	24 Inches
Width	30 Inches
Height	41 3/4 Inches
Bowl Depth	5 Inches
Adjustable Height	Adjustable
Backsplash Height	6 Inches
Work Surface Height	35 3/4 Inches
Backsplash	With Backsplash
Base Style	Undershelf
Bowl Front to Back	14 Inches

Features

- Durable, corrosion-resistant 18 gauge type 304 stainless steel
- Includes a drop-in sink with 6" side splashes
- Stainless steel undershelf and legs with adjustable bullet feet
- 6" backsplash helps prevent spills and keep floors dry
- Easily fits between kitchen equipment, saving space

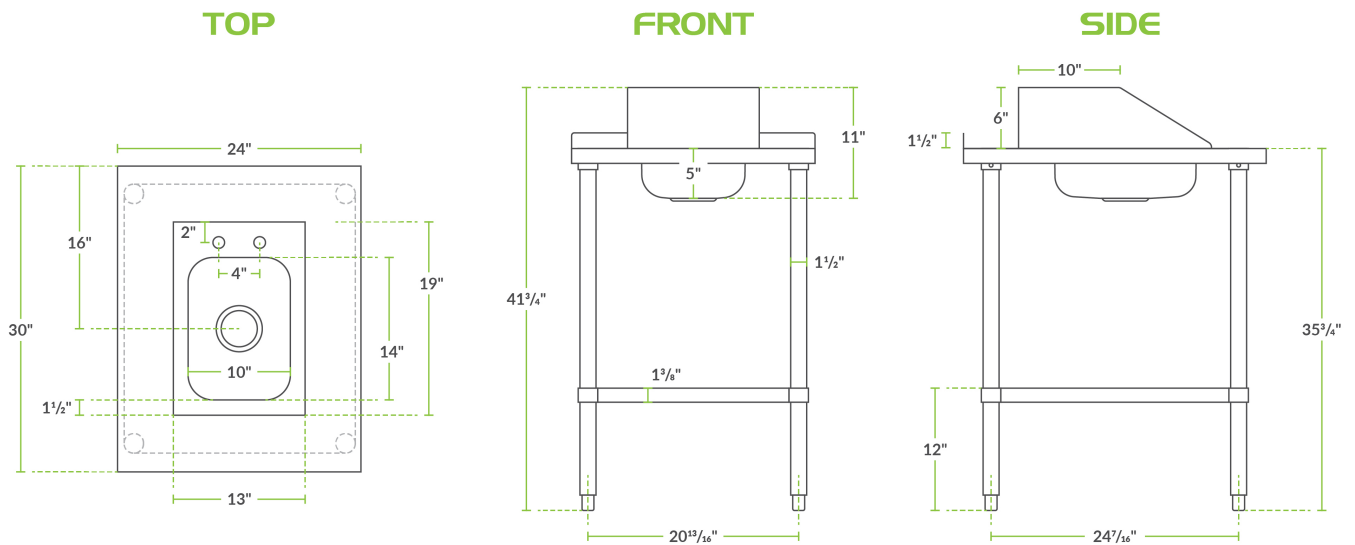
Certifications



Technical Data

Bowl Left to Right	10 Inches
Features	NSF Listed With Sink
Gauge	18 Gauge
Leg Construction	Stainless Steel
Number of Legs	4 Legs
Size	30" x 24"
Stainless Steel Type	Type 304
Table Style	Undershef
Tabletop Material	Stainless Steel
Type	Work Tables with Sink
Undershef Construction	Stainless Steel
Usage	Light Duty

Plan View



Notes & Details

Make the most of the space that you have with this Regency 30" x 24" 18 gauge type 304 stainless steel filler table with a drop-in sink. This stainless steel commercial 30" x 24" equipment filler table with 6" side splashes, a 6" backsplash, and undershef is designed to help you maximize the space in your kitchen where every inch matters.

The top shelf is made of durable and easy-to-clean 18 gauge type 304 stainless steel, offering excellent durability and a professional looking finish. With its narrow footprint at just 24" in width, this table easily fits between kitchen equipment to provide important extra work space for food preparation, storage supplies, and other tasks within your business.

The work table's adjustable undershef is made from 18 gauge stainless steel. A 6" backsplash is included to help protect walls and contain items on the work top. The legs of this work table are 1 5/8" in diameter and are also made of stainless steel, with feet that are adjustable up to 1".

This table comes with a drop-in sink with 6" side splashes so you can set up a dedicated hand washing station or a handy dump sink right where it makes the most sense for your kitchen's layout. It includes two holes for a faucet with 4" centers (sold separately).

 **WARNING:** This product can expose you to chemicals including lead, which are known to the State of California to cause cancer, birth defects, or other reproductive harm. For more information, go to www.p65warnings.ca.gov.