

REGENCY
Tables and Sinks

Regency 30" x 60" 18-Gauge 304 Stainless Steel Commercial Work Table with 4" Backsplash and Galvanized Undershef

#600TB3060G



Technical Data

Length	60 Inches
Width	30 Inches
Height	38 Inches
Backsplash Height	4 Inches
Work Surface Height	34 Inches
Backsplash	With Backsplash
Base Style	Undershef
Features	Customizable Height NSF Listed With Undershef

Features

- 18-gauge type 304 stainless steel top offers greater durability and corrosion-resistance than type 4
- Adjustable galvanized steel undershef and galvanized steel legs with adjustable plastic bullet feet
- Aluminum corner brackets on undershef
- 4" backsplash helps prevent spills
- 520 lb. top shelf weight capacity; 390 lb. undershef weight capacity

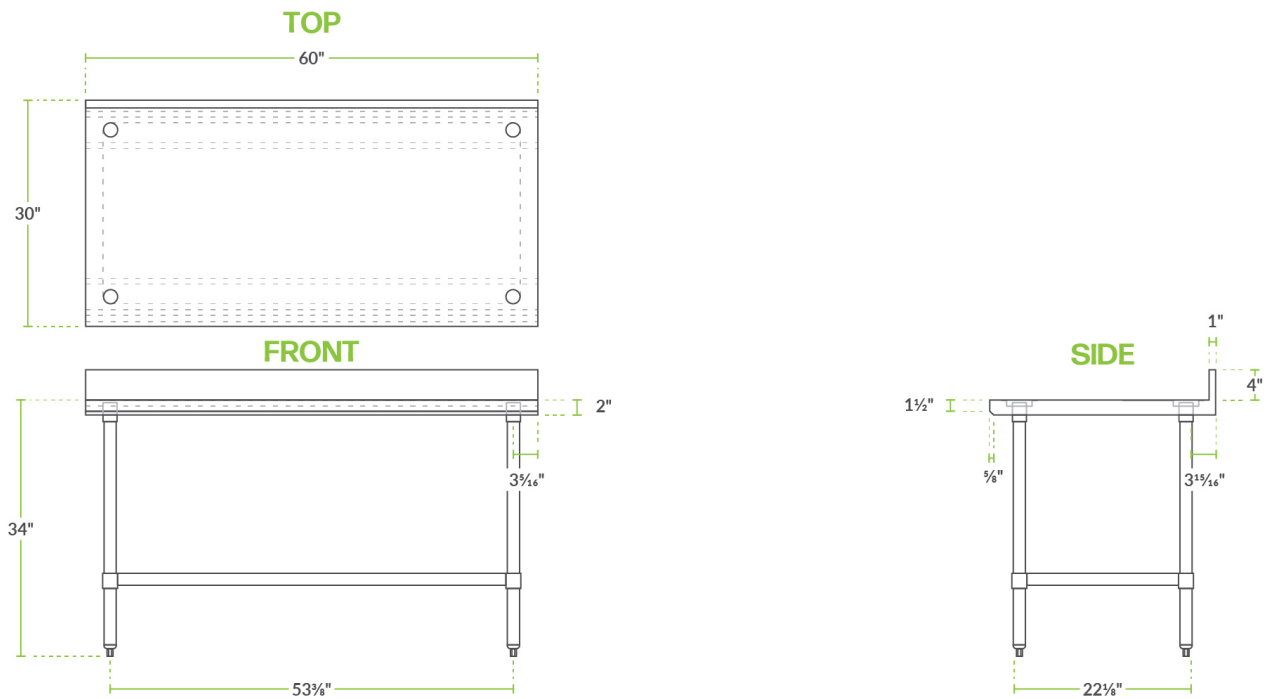
Certifications



Technical Data

Gauge	18 Gauge
Leg Construction	Galvanized Steel
Number of Legs	4 Legs
Size	30" x 60"
Stainless Steel Type	Type 304
Table Style	Undershelf
Tabletop Material	Stainless Steel
Top Capacity	520 lb.
Undershelf Capacity	390 lb.
Undershelf Construction	Galvanized Steel
Usage	Light Duty

Plan View



Notes & Details

This Regency stainless steel commercial 30" x 60" work table is designed to provide additional space for preparation or other tasks in your commercial kitchen, bar, or restaurant. Its 18-gauge type 304 stainless steel top can support up to 520 lb. of evenly distributed weight, providing superior corrosion resistance and durability, while the work table's undershelf is constructed from 18-gauge galvanized steel and can hold up to 390 lb.

A 4" high backsplash is included to help protect walls and contain items on the work top. The legs of this work table are 1 5/8" in diameter and are also made of galvanized steel, with plastic feet that are adjustable up to 1".

⚠️ WARNING: This product can expose you to chemicals including Lead and Nickel, which are known to the State of California to cause cancer, birth defects, or other reproductive harm. For more information, go to www.p65warnings.ca.gov.