



## Regency 30" x 18" 18-Gauge 304 Stainless Steel Equipment Filler Table with Backsplash and Galvanized Undershaft

#600TB3018G



### Technical Data

|                     |                                   |
|---------------------|-----------------------------------|
| Length              | 18 Inches                         |
| Width               | 30 Inches                         |
| Height              | 38 Inches                         |
| Backsplash Height   | 4 Inches                          |
| Work Surface Height | 34 Inches                         |
| Backsplash          | With Backsplash                   |
| Base Style          | Undershaft                        |
| Features            | Customizable Height<br>NSF Listed |
| Gauge               | 18 Gauge                          |

### Features

- 18-gauge type 304 stainless steel top shelf
- Galvanized steel undershaft and legs with adjustable plastic bullet feet
- Designed to fit in between two pieces of equipment
- 4" backsplash helps prevent spills
- Aluminum corner brackets on undershaft

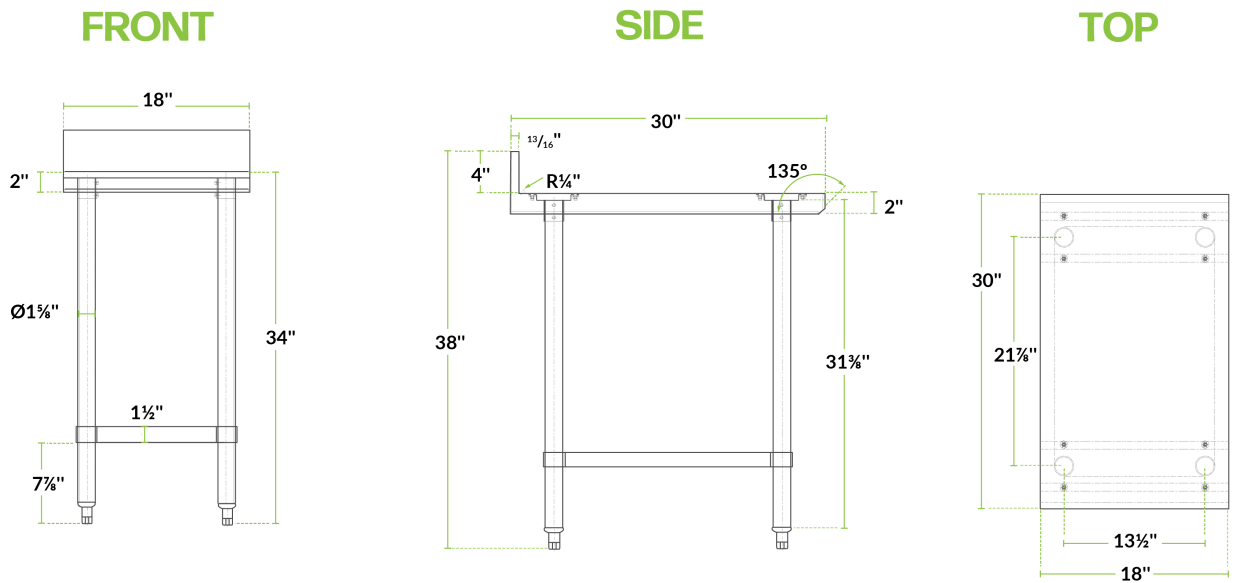
### Certifications



## Technical Data

|                         |                  |
|-------------------------|------------------|
| Leg Construction        | Galvanized Steel |
| Number of Legs          | 4 Legs           |
| Size                    | 30" x 18"        |
| Stainless Steel Type    | Type 304         |
| Table Style             | Undershelf       |
| Tabletop Material       | Stainless Steel  |
| Top Capacity            | 420 lb.          |
| Type                    | Filler Tables    |
| Undershelf Capacity     | 300 lb.          |
| Undershelf Construction | Galvanized Steel |
| Usage                   | Light Duty       |

## Plan View



600TB3018G

## Notes & Details

This stainless steel commercial 30" x 18" equipment filler table with a 4" high backsplash and undershelf is designed to help you maximize the space in your kitchen. The top shelf is made of durable and easy-to-clean 18-gauge type 304 stainless steel, offering excellent durability and a professional looking finish. With its thin footprint at just 30" in width, this table easily fits between kitchen equipment to provide important extra work space for food preparation, storage supplies, and other tasks within your business.

The work table's adjustable undershelf is constructed from 18-gauge galvanized steel and is further supported with aluminum corner brackets. A 4" high backsplash is included to help protect walls and contain items on the work top. The legs of this work table are 1 5/8" in diameter and are also made of galvanized steel, with plastic feet that are adjustable up to 1".

**⚠ WARNING:** This product can expose you to chemicals including Lead and Nickel, which are known to the State of California to cause cancer, birth defects, or other reproductive harm. For more information, go to [www.p65warnings.ca.gov](http://www.p65warnings.ca.gov).