

**REGENCY**  
Tables and Sinks

## Regency 30" x 15" 18-Gauge 304 Stainless Steel Equipment Filler Table with Backsplash and Galvanized Undershaft

#600TB3015G



### Technical Data

Length	15 Inches
Width	30 Inches
Height	38 Inches
Backsplash Height	4 Inches
Work Surface Height	34 Inches
Backsplash	With Backsplash
Base Style	Undershaft
Features	Customizable Height NSF Listed
Gauge	18 Gauge

### Features

- 18-gauge type 304 stainless steel top shelf
- Galvanized steel undershaft and legs with adjustable plastic bullet feet
- Designed to fit in between two pieces of equipment
- 4" backsplash helps prevent spills
- Aluminum corner brackets on undershaft

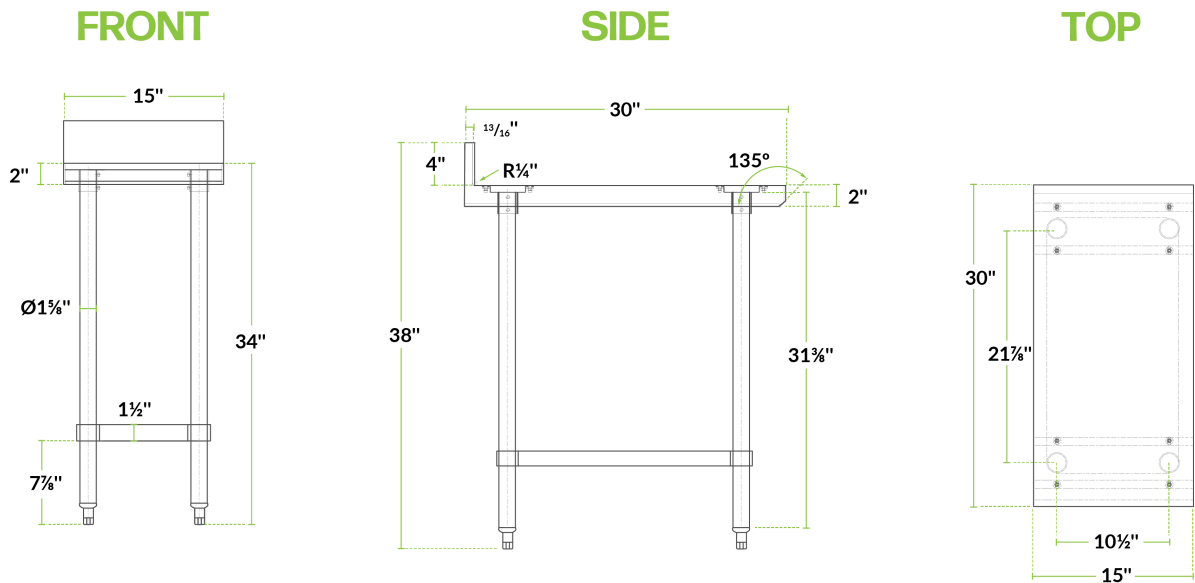
### Certifications



## Technical Data

Leg Construction	Galvanized Steel
Number of Legs	4 Legs
Size	30" x 15"
Stainless Steel Type	Type 304
Table Style	Undershelf
Tabletop Material	Stainless Steel
Top Capacity	420 lb.
Type	Filler Tables
Undershelf Capacity	300 lb.
Undershelf Construction	Galvanized Steel
Usage	Light Duty

## Plan View



600TB3015G

## Notes & Details

This stainless steel commercial 30" x 15" equipment filler table with a 4" high backplash and undershelf is designed to help you maximize the space in your kitchen. The top shelf is made of durable and easy-to-clean 18-gauge type 304 stainless steel, offering excellent durability and a professional looking finish. With its thin footprint at just 15" in width, this table easily fits between kitchen equipment to provide important extra work space for food preparation, storage supplies, and other tasks within your business.

The work table's adjustable undershelf is constructed from 18-gauge galvanized steel and is further supported with aluminum corner brackets. A 4" high backplash is included to help protect walls and contain items on the work top. The legs of this work table are 1 5/8" in diameter and are also made of galvanized steel, with plastic feet that are adjustable up to 1".

**⚠ WARNING:** This product can expose you to chemicals including Lead and Nickel, which are known to the State of California to cause cancer, birth defects, or other reproductive harm. For more information, go to [www.p65warnings.ca.gov](http://www.p65warnings.ca.gov).