



Regency 24" x 96" 18-Gauge 304 Stainless Steel Commercial Work Table with 4" Backsplash and Galvanized Undershelf

#600TB2496G



Technical Data

Length	96 Inches
Width	24 Inches
Height	38 Inches
Backsplash Height	4 Inches
Work Surface Height	34 Inches
Backsplash	With Backsplash
Base Style	Undershelf
Features	Customizable Height NSF Listed With Undershelf

Features

- 18-gauge type 304 stainless steel top offers greater durability and corrosion-resistance than type 4
- Galvanized steel undershelf and 6 legs with adjustable plastic bullet feet
- 4" backsplash helps prevent spills
- Aluminum corner brackets on undershelf
- 650 lb. top shelf weight capacity; 450 lb. undershelf weight capacity

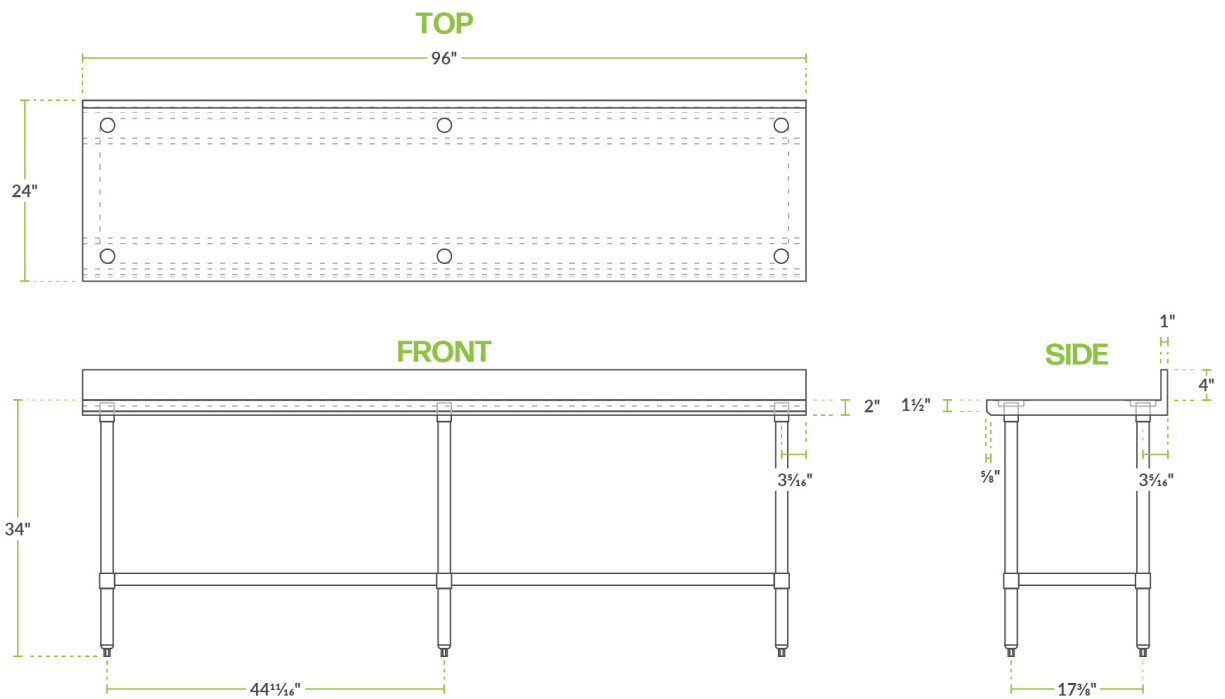
Certifications



Technical Data

Gauge	18 Gauge
Leg Construction	Galvanized Steel
Number of Legs	6 Legs
Size	24" x 96"
Stainless Steel Type	Type 304
Table Style	Undershelf
Tabletop Material	Stainless Steel
Top Capacity	650 lb.
Undershelf Capacity	450 lb.
Undershelf Construction	Galvanized Steel
Usage	Light Duty

Plan View



Notes & Details

This stainless steel commercial 24" x 96" work table is designed to provide additional space for preparation or other tasks in your commercial kitchen, bar, or restaurant. Its 18-gauge type 304 stainless steel top can support up to 650 lb. of evenly distributed weight, providing superior corrosion resistance and durability, while the work table's undershelf is constructed from 18-gauge galvanized steel and can hold up to 450 lb.

A 4" high backsplash is included to help protect walls and contain items on the work top. The six legs of this work table are 1 5/8" in diameter and are also made of galvanized steel, with plastic feet that are adjustable up to 1".

⚠ WARNING: This product can expose you to chemicals including Lead and Nickel, which are known to the State of California to cause cancer, birth defects, or other reproductive harm. For more information, go to www.p65warnings.ca.gov.