



## Regency 24" x 48" 18-Gauge 304 Stainless Steel Commercial Work Table with 4" Backsplash and Galvanized Undershef

#600TB2448G



### Technical Data

|                     |   |
|---------------------|---|
| Length              | 48 Inches   |
| Width               | 24 Inches   |
| Height              | 38 Inches   |
| Backsplash Height   | 4 Inches  |
| Work Surface Height | 34 Inches   |
| Backsplash          | With Backsplash                                     |
| Base Style          | Undershef   |
| Features            | Customizable Height<br>NSF Listed<br>With Undershef |

### Features

- 18-gauge type 304 stainless steel top offers greater durability and corrosion-resistance than type 4
- Galvanized steel undershef and legs with adjustable plastic bullet feet
- 4" backsplash helps prevent spills
- Aluminum corner brackets on undershef
- 460 lb. top shelf weight capacity; 340 lb. undershef weight capacity

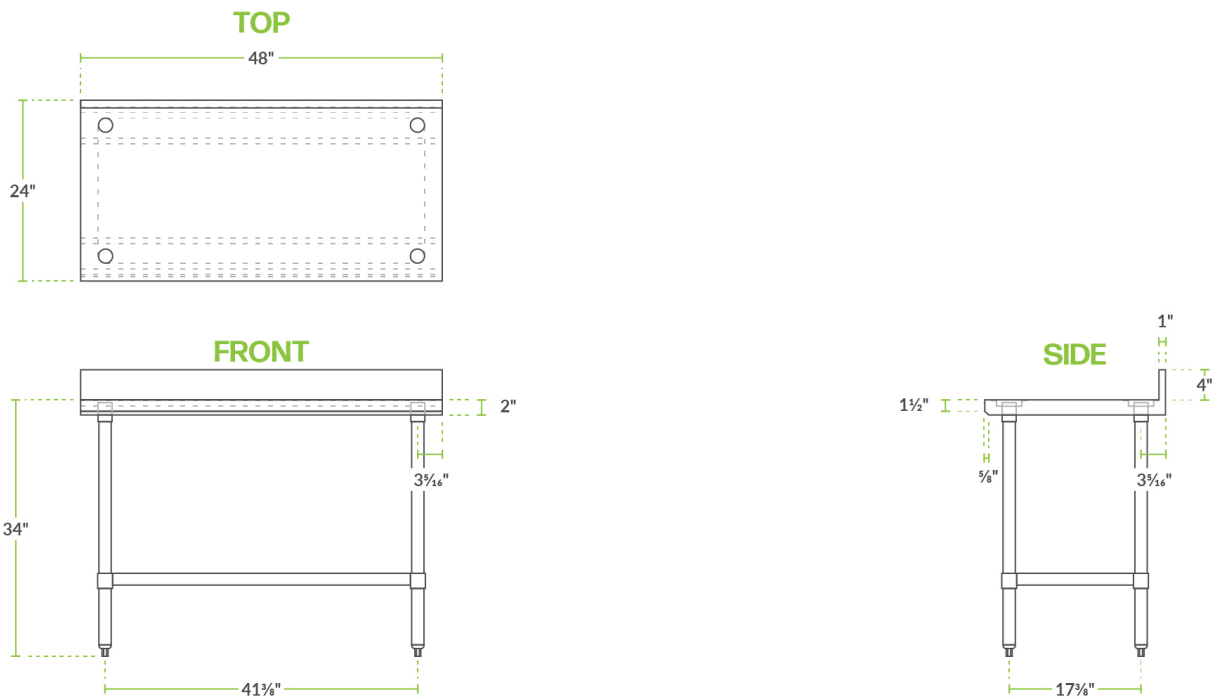
### Certifications



## Technical Data

|                         |                  |
|-------------------------|------------------|
| Gauge                   | 18 Gauge         |
| Leg Construction        | Galvanized Steel |
| Number of Legs          | 4 Legs           |
| Size                    | 24" x 48"        |
| Stainless Steel Type    | Type 304         |
| Table Style             | Undershelf       |
| Tabletop Material       | Stainless Steel  |
| Top Capacity            | 460 lb.          |
| Undershelf Capacity     | 340 lb.          |
| Undershelf Construction | Galvanized Steel |
| Usage                   | Light Duty       |

## Plan View



## Notes & Details

This stainless steel commercial 24" x 48" work table is designed to provide additional space for preparation or other tasks in your commercial kitchen, bar, or restaurant. Its 18-gauge type 304 stainless steel top can support up to 460 lb. of evenly distributed weight, providing superior corrosion resistance and durability, while the work table's undershelf is constructed from 18-gauge galvanized steel and can hold up to 340 lb.

A 4" high backsplash is included to help protect walls and contain items on the work top. The legs of this work table are 1 5/8" in diameter and are also made of galvanized steel, with plastic feet that are adjustable up to 1".

**⚠ WARNING:** This product can expose you to chemicals including Lead and Nickel, which are known to the State of California to cause cancer, birth defects, or other reproductive harm. For more information, go to [www.p65warnings.ca.gov](http://www.p65warnings.ca.gov).