



Regency 18" x 48" 18-Gauge 304 Stainless Steel Commercial Work Table with 4" Backsplash and Galvanized Undershelf

#600TB1848G



Technical Data

Length	48 Inches
Width	18 Inches
Height	38 Inches
Backsplash Height	4 Inches
Work Surface Height	34 Inches
Backsplash	With Backsplash
Base Style	Undershelf
Features	Customizable Height NSF Listed With Undershelf

Features

- 18-gauge top; type 304 stainless steel provides greater corrosion-resistance than type 430
- Galvanized steel legs and adjustable plastic bullet feet
- Adjustable galvanized steel undershelf with aluminum corner brackets
- 4" backsplash helps contain spills
- 650 lb. top weight capacity

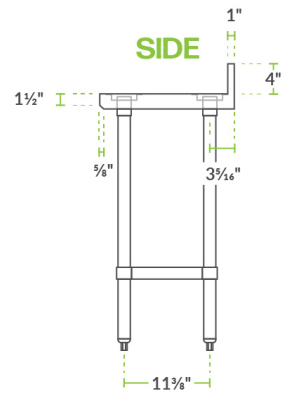
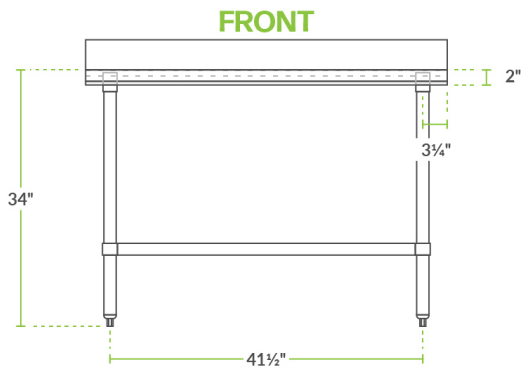
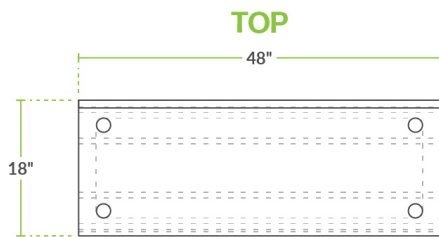
Certifications



Technical Data

Gauge	18 Gauge
Leg Construction	Galvanized Steel
Number of Legs	4 Legs
Size	18" x 48"
Stainless Steel Type	Type 304
Table Style	Undershelf
Tabletop Material	Stainless Steel
Top Capacity	650 lb.
Undershelf Capacity	480 lb.
Undershelf Construction	Galvanized Steel
Usage	Light Duty


Plan View



Notes & Details

This stainless steel commercial 18" x 48" work table with an undershelf is constructed from durable and easy-to-clean 18-gauge type 304 series stainless steel. Type 304 stainless steel offers greater corrosion resistance than type 430 stainless steel options, making it the ideal choice for your kitchen. This durable stainless steel work table offers additional space for preparation or other tasks and provides superior corrosion resistance for a long service life. This work table boasts an 18-gauge stainless steel 4" backsplash to match the top. This guard helps protect your walls and floors from accidental spills, and it also gives you that extra assurance that your blender, food processor, or any other small, light-weight piece of equipment won't fall off the back of the work surface.

This work table's adjustable undershelf is made of 18-gauge galvanized steel and is secured with set screws for easy assembly. With this undershelf, you'll have the space you need to store items like cutting boards and small counter equipment within easy reach. The legs of this work table are 1 5/8" in diameter and are made of tubular galvanized steel. They are equipped with adjustable plastic bullet feet that help level the table on uneven floors. This work table's durable top can hold approximately 650 lb. of evenly distributed weight, and the undershelf can hold approximately 480 lb. This table is not recommended for use with overshelves.

 **WARNING:** This product can expose you to chemicals including Lead and Nickel, which are known to the State of California to cause cancer, birth defects, or other reproductive harm. For more information, go to www.p65warnings.ca.gov.