

REGENCY
Tables and Sinks

Regency 30" x 96" 18-Gauge 430 Stainless Steel Commercial Work Table with Undershef

#600TA3096S



Technical Data

Length	96 Inches
Width	30 Inches
Height	34 Inches
Work Surface Height	34 Inches
Backsplash	Without Backsplash
Base Style	Undershef
Features	NSF Listed With Undershef
Gauge	18 Gauge
Leg Construction	Stainless Steel

Features

- Made of 18-gauge type 430 stainless steel
- Stainless steel adjustable undershef with aluminum die cast
- Stainless steel bullet feet and legs
- Easy-to-clean surface provides additional space for food prep and storage
- Ideal for a variety of floor layouts

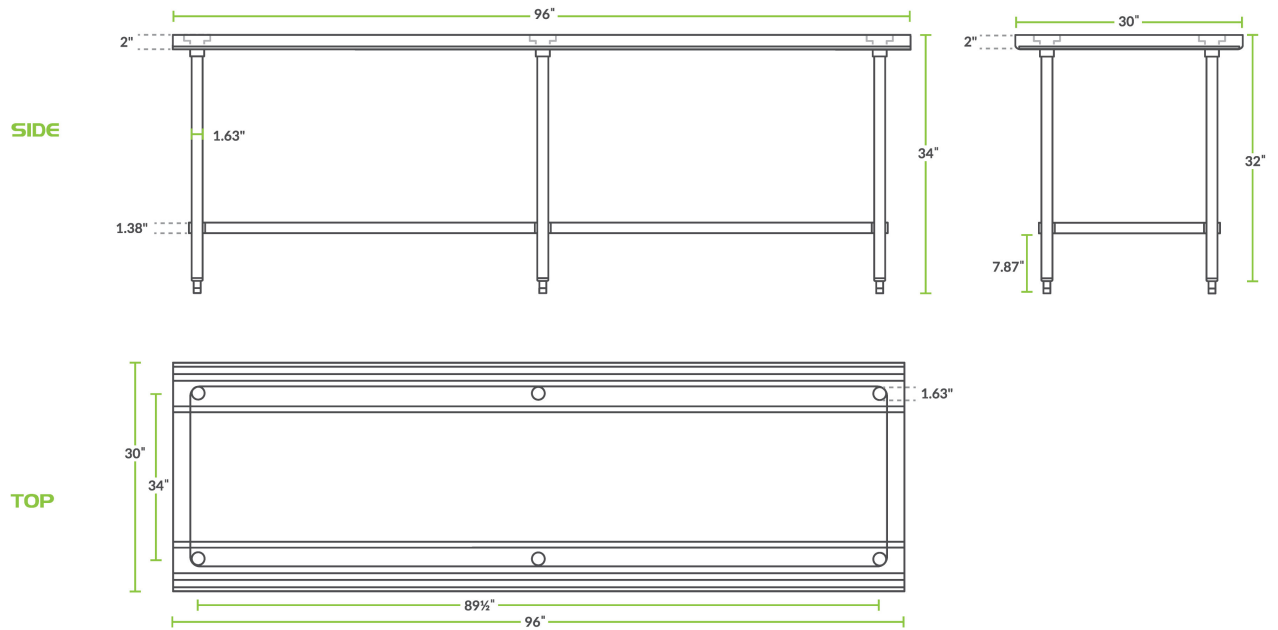
Certifications



Technical Data

Number of Legs	6 Legs
Size	30" x 96"
Stainless Steel Type	Type 430
Table Style	Undershelf
Tabletop Material	Stainless Steel
Type	Work Tables
Undershelf Construction	Stainless Steel
Usage	Light Duty

Plan View



Notes & Details

Utilize the space in your kitchen with this multi-faceted 30" x 96" stainless steel commercial work table from Regency Tables and Sinks. This unit provides plenty of room on its work surface as well offering a stainless steel undershelf with aluminum die cast sockets to supply much needed space for food preparation, storing supplies, and other tasks within your business. In addition, this stainless steel shelf is conveniently adjustable with aluminum die cast sockets for added security.

Made from 18-gauge type 430 stainless steel, this Regency work table is both easy to clean and easy to maintain. Plus, it is mounted on (6) sturdy, stainless steel legs with stainless steel bullet feet for ample support. This unit requires little effort to assemble, allowing you to begin using it as soon as possible. You can be sure this economical solution will add valuable work space within a variety of kitchen environments so your establishment can function at the highest level of efficiency!

WARNING: This product can expose you to chemicals including lead, which are known to the State of California to cause cancer, birth defects, or other reproductive harm. For more information, go to www.p65warnings.ca.gov.