



## Regency 30" x 48" All 18-Gauge 430 Stainless Steel Commercial Work Table with Undershelf

#600TA3048S



### Technical Data

Length	48 Inches
Width	30 Inches
Height	34 Inches
Work Surface Height	34 Inches
Backsplash	Without Backsplash
Base Style	Undershelf
Features	Customizable Height NSF Listed With Undershelf
Gauge	18 Gauge

### Features

- Made of 18-gauge type 430 stainless steel
- Stainless steel adjustable undershelf
- Stainless steel bullet feet and legs
- Aluminum die cast on undershelf
- Provides additional space for food prep and storage

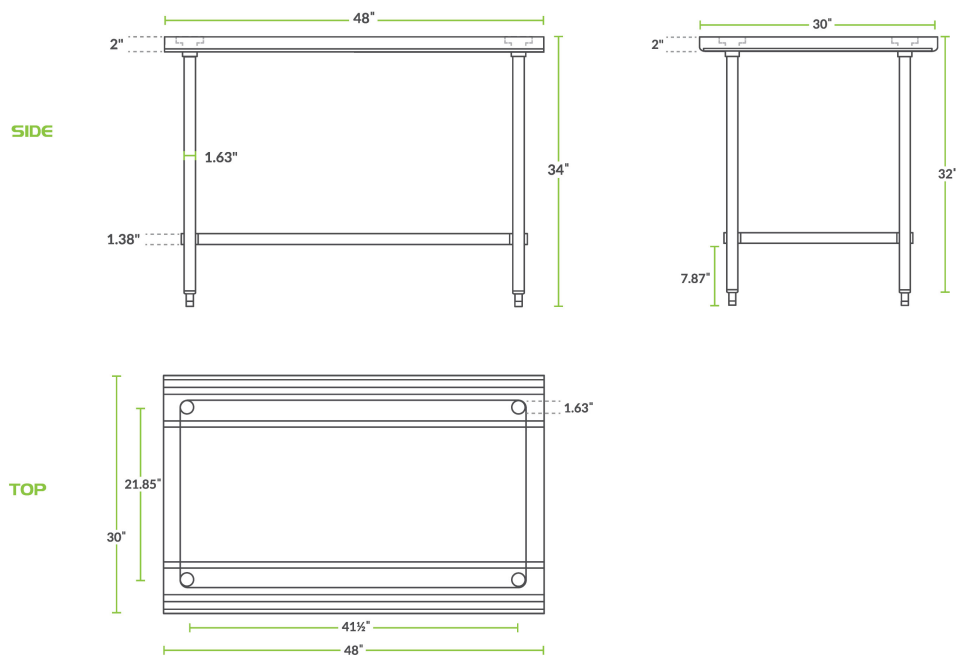
### Certifications



## Technical Data

Leg Construction	Stainless Steel
Number of Legs	4 Legs
Size	30" x 48"
Stainless Steel Type	Type 430
Table Style	Undershelf
Tabletop Material	Stainless Steel
Top Capacity	500 lb.
Undershelf Capacity	370 lb.
Undershelf Construction	Stainless Steel
Usage	Light Duty

## Plan View



## Notes & Details

Utilize the space in your kitchen with this multi-faceted 30" x 48" stainless steel commercial work table from Regency Tables and Sinks. This unit provides plenty of room on its work surface as well offering a stainless steel undershelf with aluminum die cast sockets to supply much needed space for food preparation, storing supplies, and other tasks within your business.

Made from 18-gauge type 430 stainless steel, this Regency work table is both easy to clean and easy to maintain. Plus, it is mounted on (4) sturdy, stainless steel legs with stainless steel bullet feet for ample support. You can be sure this economical solution will add valuable work space within a variety of kitchen environments for a long time so your establishment can function at the highest level of efficiency.

**WARNING:** This product can expose you to chemicals including lead, which are known to the State of California to cause cancer, birth defects, or other reproductive harm. For more information, go to [www.p65warnings.ca.gov](http://www.p65warnings.ca.gov).