



## Regency 24" x 24" All 18-Gauge 430 Stainless Steel Commercial Work Table with Undershelf

#600TA2424S



### Technical Data

Length	24 Inches
Width	24 Inches
Height	34 Inches
Work Surface Height	34 Inches
Backsplash	Without Backsplash
Base Style	Undershelf
Features	Customizable Height NSF Listed With Undershelf
Gauge	18 Gauge

### Features

- Made of 18-gauge type 430 stainless steel
- Stainless steel adjustable undershelf with aluminum die cast
- Stainless steel bullet feet and legs
- Easy-to-clean surface provides space for food prep and storage
- Ideal for a variety of floor layouts

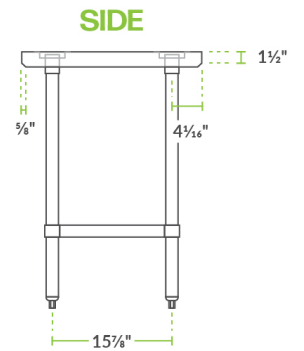
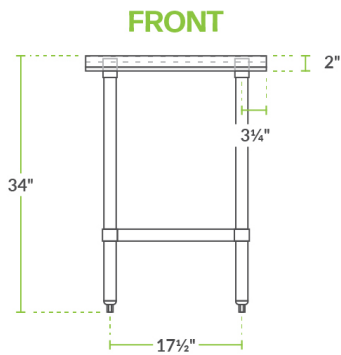
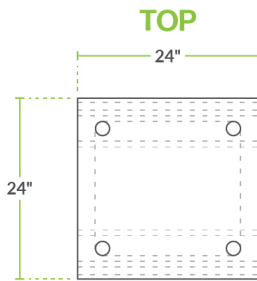
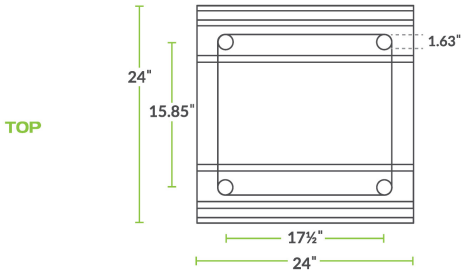
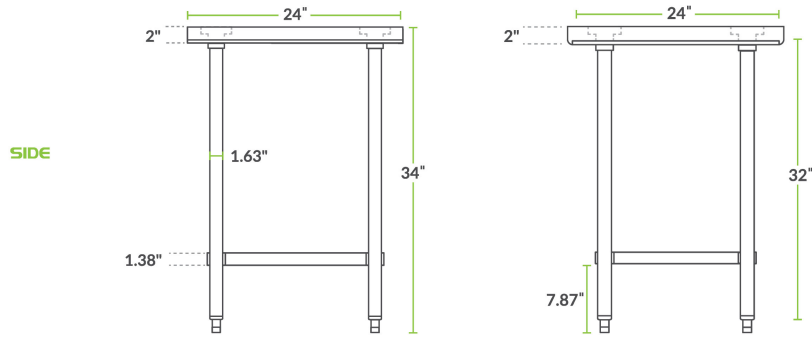
### Certifications



## Technical Data

Leg Construction	Stainless Steel
Number of Legs	4 Legs
Size	24" x 24"
Stainless Steel Type	Type 430
Table Style	Undershelf
Tabletop Material	Stainless Steel
Top Capacity	400 lb.
Undershelf Capacity	300 lb.
Undershelf Construction	Stainless Steel
Usage	Light Duty

Plan View



Notes & Details

Utilize the space in your kitchen with this multi-faceted 24" x 24" stainless steel commercial work table from Regency Tables and Sinks. This unit provides plenty of room on its work surface as well offering a stainless steel undershelf with aluminum die cast sockets to supply much needed space for food preparation, storing supplies, and other tasks within your business.

Made from 18-gauge type 430 stainless steel, this Regency work table is both easy to clean and easy to maintain. Plus, it is mounted on (4) sturdy, stainless steel legs with stainless steel bullet feet for ample support. You can be sure this economical solution will add valuable work space within a variety of kitchen environments for a long time so your establishment can function at the highest level of efficiency.

 **WARNING:** This product can expose you to chemicals including lead, which are known to the State of California to cause cancer, birth defects, or other reproductive harm. For more information, go to [www.p65warnings.ca.gov](http://www.p65warnings.ca.gov).