

REGENCY
Tables and Sinks

Regency 18" x 96" 18-Gauge 304 Stainless Steel Commercial Work Table with Galvanized Legs and Undershef

#600T1896G



Technical Data

Length	96 Inches
Width	18 Inches
Height	34 Inches
Work Surface Height	34 Inches
Backsplash	Without Backsplash
Base Style	Undershef
Features	Customizable Height NSF Listed With Undershef
Gauge	18 Gauge

Features

- 18-gauge type 304 stainless steel top for exceptional durability and corrosion resistance
- Galvanized steel undershef and legs
- Aluminum corner brackets on undershef
- 570 lb. top shelf weight capacity; 410 lb. undershef weight capacity
- Adjustable plastic bullet feet

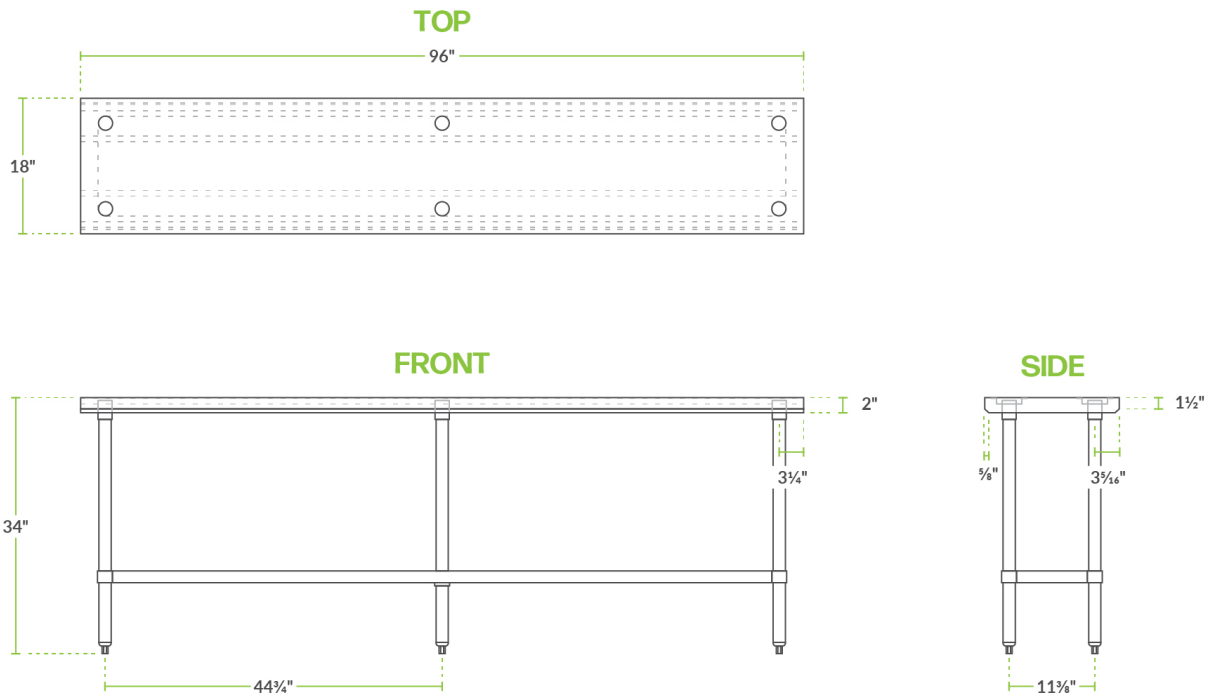
Certifications



Technical Data

Leg Construction	Galvanized Steel
Number of Legs	6 Legs
Size	18" x 96"
Stainless Steel Type	Type 304
Table Style	Undershelf
Tabletop Material	Stainless Steel
Top Capacity	570 lb.
Undershelf Capacity	410 lb.
Undershelf Construction	Galvanized Steel
Usage	Light Duty

Plan View



Notes & Details

The Regency 18" x 96" stainless steel commercial work table with undershelf is a reliable option for any commercial kitchen! This work table features a durable 18-gauge type 304 stainless steel top that can support up to 570 lb. of evenly distributed weight, making it more than capable of handling a variety of prep tasks such as chopping vegetables, pressing burger patties, and working with dough. It also offers superior resistance to corrosion and rust, ensuring it can provide long-lasting use in your busy commercial food service operation. Plus, its smooth surface is easy to clean so your staff can focus their energy on other tasks at the end of a long workday.

For added versatility, this work table features a galvanized steel undershelf to provide you with additional storage space. With its impressive 410 lb. capacity, you'll be able to keep your extra kitchen supplies, small appliances, and ingredients within easy reach while freeing up valuable workspace. Additionally, this work table's galvanized steel legs ensure stability and excellent corrosion resistance, while its adjustable plastic bullet feet allow you to level your table on uneven surfaces. Plus, this table ships unassembled to save you on shipping costs and is easily assembled with the included allen wrench and set screws.

WARNING: This product can expose you to chemicals including Lead and Nickel, which are known to the State of California to cause cancer, birth defects, or other reproductive harm. For more information, go to www.p65warnings.ca.gov.