



Regency 18" x 72" 18-Gauge 304 Stainless Steel Commercial Work Table with Galvanized Legs and Undershef

#600T1872G



Technical Data

Length	72 Inches
Width	18 Inches
Height	34 Inches
Work Surface Height	34 Inches
Backsplash	Without Backsplash
Base Style	Undershef
Features	Customizable Height NSF Listed With Undershef
Gauge	18 Gauge

Features

- 18-gauge type 304 stainless steel top offers greater durability and corrosion-resistance than type 430
- Galvanized steel undershef and legs
- Aluminum corner brackets on undershef
- 430 lb. top shelf weight capacity; 340 lb. undershef weight capacity
- Adjustable plastic bullet feet

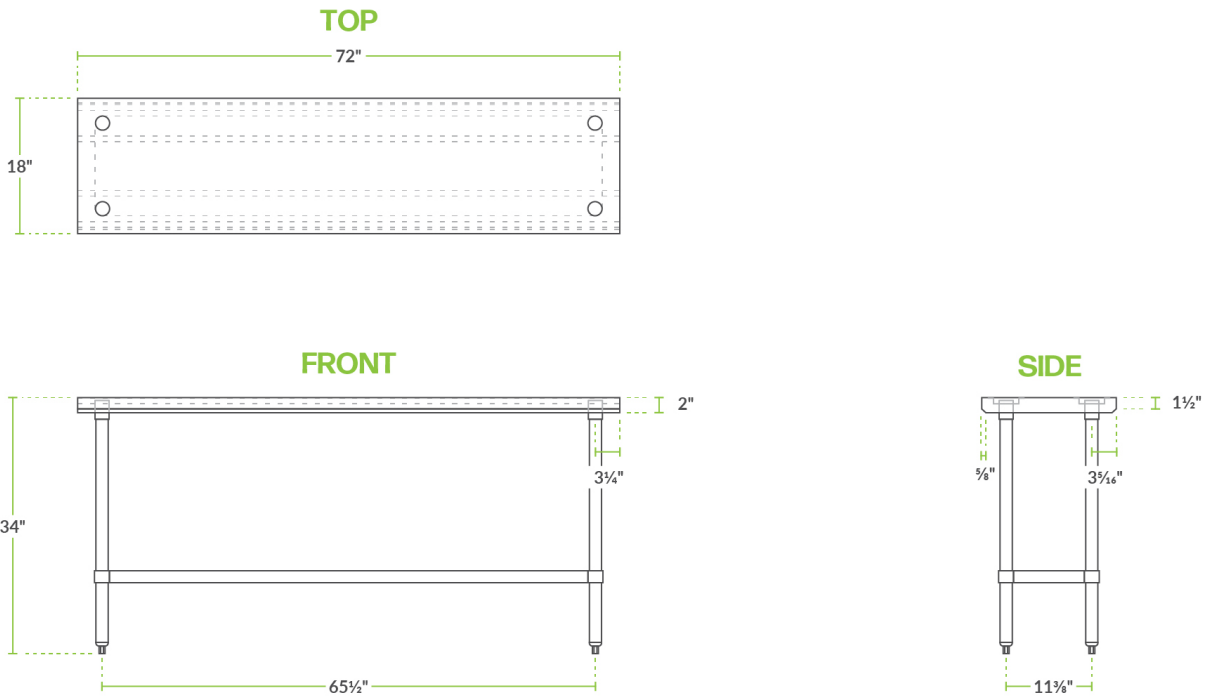
Certifications



Technical Data

Leg Construction	Galvanized Steel
Number of Legs	4 Legs
Size	18" x 72"
Stainless Steel Type	Type 304
Table Style	Undershelf
Tabletop Material	Stainless Steel
Top Capacity	430 lb.
Undershelf Capacity	340 lb.
Undershelf Construction	Galvanized Steel
Usage	Light Duty

Plan View



Notes & Details

This stainless steel commercial 18" x 72" work table with undershelf is constructed from durable and easy-to-clean 18-gauge type 304 series stainless steel. This durable stainless steel work table offers additional space for preparation or other tasks, providing superior corrosion resistance for a long service life.

This work table's adjustable undershelf is constructed from 18-gauge galvanized steel and is secured with set screws for easy assembly. With this undershelf, you'll have the storage space you need to store items like cutting boards and small counter equipment within easy reach.

The legs of this work table are 1 5/8" in diameter and are made of tubular galvanized steel. They are equipped with adjustable plastic bullet feet that help level the table on uneven floors. This work table's durable top can hold approximately 430 lb. of evenly distributed weight, and the undershelf can hold approximately 340 lb.

⚠ WARNING: This product can expose you to chemicals including Lead and Nickel, which are known to the State of California to cause cancer, birth defects, or other reproductive harm. For more information, go to www.p65warnings.ca.gov.