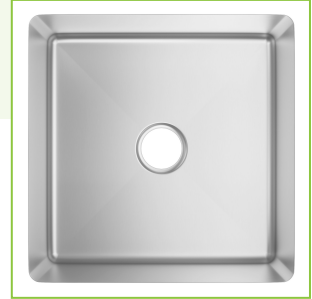




## Regency 20" x 20" 14-Gauge Stainless Steel Fabricated Weld-In Undermount Sink Bowl - 10" Deep

#600SWB202010



### Technical Data

|                    |              |
|--------------------|--------------|
| Length             | 20 Inches    |
| Width              | 20 Inches    |
| Height             | 10 Inches    |
| Bowl Depth         | 10 Inches    |
| Bowl Front to Back | 20 Inches    |
| Bowl Left to Right | 20 Inches    |
| Color              | Silver       |
| Corner Radius      | 3/4 Inch     |
| Drain Opening      | 3 1/2 Inches |
| Edge Style         | Flush        |

### Features

- Constructed of heavy-duty 14-gauge, type 304 stainless steel
- Approved for NSF welded fabrication
- Includes (1) 20" x 20" x 10" bowl with R19 corner radius
- Undermount style with a flush edge and a sleek satin finish
- 3 1/2" drain opening

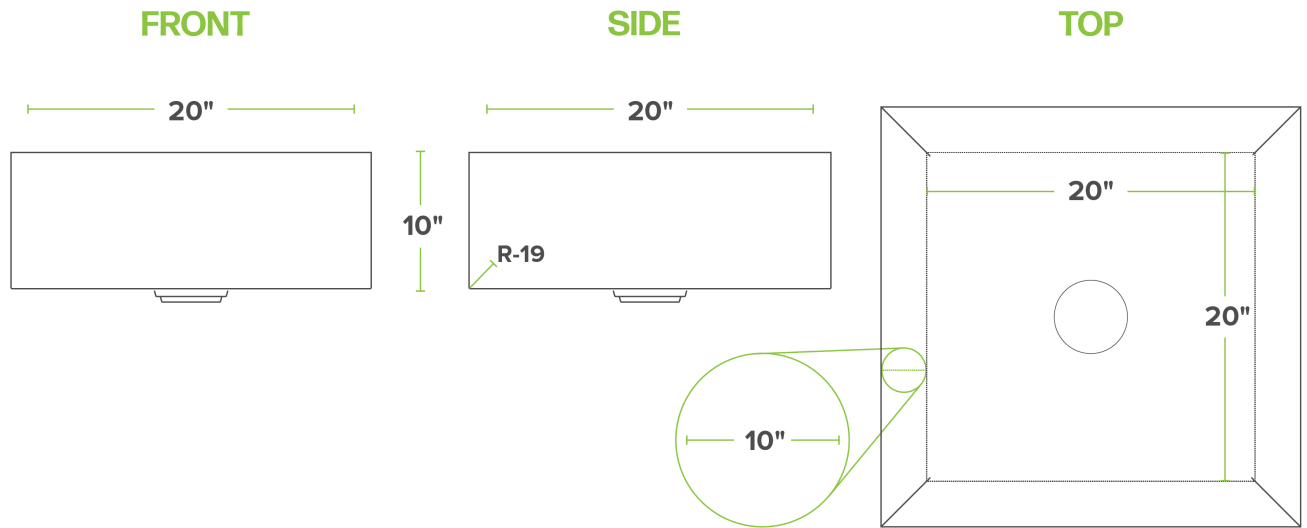
### Certifications



## Technical Data

|                        |   |
|------------------------|---|
| Features               | Massachusetts Accepted Plumbing Product<br>NSF Listed |
| Gauge                  | 14 Gauge  |
| Material               | Stainless Steel                                       |
| Number of Compartments | 1 Compartment   |
| Stainless Steel Type   | Type 304  |
| Type                   | Undermount Sinks<br>Weld-In Sinks                     |

## Plan View



600SWB202010

## Notes & Details

Equip your prep kitchen, bar, or other commercial space with this Regency 20" x 20" x 10" 14-gauge stainless steel fabricated weld-in undermount sink bowl. Designed for professional weld-in installation, this sink allows for custom fabrication to accommodate your specific installation requirements. With its undermount design, flush edge style, and R19 sink bowl corner radius, the sink secures to the bottom of a countertop for a seamless installation and a professional appearance.

Designed for long-lasting durability, corrosion resistance, and sanitation, this sink bowl is constructed of heavy-duty 14-gauge, type 304 stainless steel with a sleek satin finish inside and out. To get your new sink up and running as quickly as possible, this bowl is equipped with a 3 1/2" drain opening. This unit is ideal for a variety of janitorial and commercial kitchen applications.

**⚠️ WARNING:** This product can expose you to chemicals including lead, which are known to the State of California to cause cancer, birth defects, or other reproductive harm. For more information, go to [www.p65warnings.ca.gov](http://www.p65warnings.ca.gov).