

REGENCY
Tables and Sinks

Regency 30" x 48" 16 Gauge Stainless Steel Work Table with Left Sink and Cross Bracing

#600STCB3048L



Technical Data

| | |
|---------------------|-----------------|
| Length | 48 Inches |
| Width | 30 Inches |
| Height | 39 Inches |
| Spout Length | 12 Inches |
| Bowl Depth | 12 Inches |
| Backsplash Height | 5 Inches |
| Faucet Height | 4 7/8 Inches |
| Work Surface Height | 34 Inches |
| Backsplash | With Backsplash |
| Bowl Front to Back | 20 Inches |

Features

- Durable 16 gauge type 304 stainless steel top
- 20 gauge, 304 series stainless steel cross braces
- Features a 12" deep stainless steel sink with a deck mounted faucet
- Convenient 5" backsplash protects posterior wall
- Stainless steel legs and sockets for maximum support; adjustable bullet feet

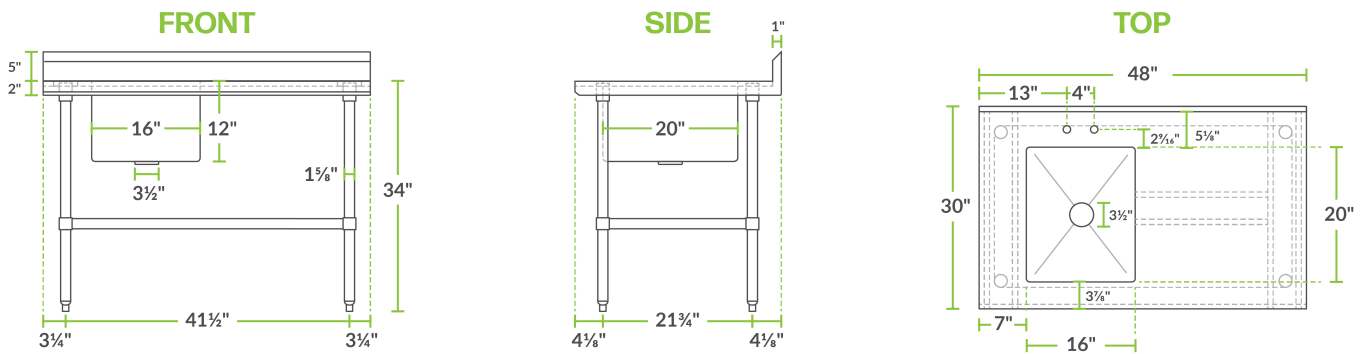
Certifications



Technical Data

| | |
|----------------------|-----------------------|
| Bowl Left to Right | 16 Inches |
| Faucet Centers | 4 Inches |
| Features | NSF Listed Sink |
| Flow Rate | 2 GPM |
| Gauge | 16 Gauge |
| Leg Construction | Stainless Steel |
| Number of Legs | 4 Legs |
| Spout Clearance | 2 11/16 Inches |
| Spout Type | Swing |
| Stainless Steel Type | Type 304 |
| Table Style | Open Base |
| Tabletop Material | Stainless Steel |
| Type | Work Tables with Sink |
| Usage | Standard Duty |
| Water Inlet Size | 1/2 Inches |
| Weight Capacity | 500 lb. |

Plan View



Notes & Details

Complete your commercial kitchen's prep area with this Regency 30" x 48" stainless steel work table with sink! Combining an easy-to-clean, 16 gauge type 304 stainless steel top with a 12" deep sink on the left side, this unit is designed to streamline your workflow for maximum efficiency and convenience. With its integrated 16" x 20" sink, this unit allows you to easily rinse ingredients or wash your hands as you are completing other tasks on the table's work surface. Its 12" deck mounted swing faucet with 4" centers provides excellent clearance, and the included 3 1/2" drain basket has a 1.5" IPS Drain connection and helps collect excess waste particles to eliminate the possibility of clogging. Plus, a 5" backsplash protects your walls from splashes and spills while also preventing items from falling behind the table.

For unparalleled stability, this work table features stainless steel bullet feet and leg sockets that allow you to place the table on uneven floors. Plus, the unit is supported by stainless steel legs with cross bracing and hat channels, providing a solid foundation and long-lasting reliability.

⚠ WARNING: This product can expose you to chemicals including lead, which are known to the State of California to cause cancer, birth defects, or other reproductive harm. For more information, go to www.p65warnings.ca.gov.