

**REGENCY**  
Tables and Sinks

## Regency Stainless Steel Single Deck Overshelf - 12" x 36" x 19 1/4"

#600SOS1236



### Technical Data

Length	36 Inches
Width	12 Inches
Height	19 1/4 Inches
Adjustable Height	Fixed
Capacity	350 lb.
Features	NSF Listed
Gauge	18 Gauge
Material	Stainless Steel
Mounting Style	Side Mounted
Stainless Steel Type	Type 430

### Features

- Made of 18 gauge, type 430 stainless steel
- Strong and durable
- Designed for added capacity and organization
- Adds valuable storage space to your kitchen
- Holds up to 350 lb. of weight

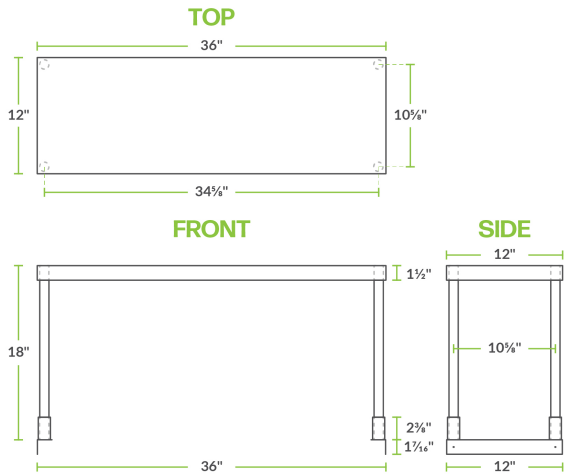
### Certifications



## Technical Data

Style	Single
Top Shelf Capacity	350 lb.
Type	Shelves

## Plan View



## Notes & Details

Add extra storage space and organization to your kitchen with the Regency stainless steel single deck overshelf! This overshelf allows you to maximize the available space of your kitchen. Its stainless steel construction ensures long-lasting durability to stand up to repeated use, and the whole shelf easily mounts to the end of your table using the "L" brackets, set screws, and wrench provided.

The shelf is made of 18 gauge, type 430 stainless steel for excellent corrosion resistance and durability. The single shelf design allows you to better organize your spices and seasoning, pans, cotton towels, oven mitts, and other frequently use cooking and preparation items while keeping them all within easy reach. In total, it holds up to 350 lb. of weight. It also ships knocked down to reduce the cost of shipping.

**⚠ WARNING:** This product can expose you to chemicals including lead, which are known to the State of California to cause cancer, birth defects, or other reproductive harm. For more information, go to [www.p65warnings.ca.gov](http://www.p65warnings.ca.gov).