



Regency 16-Gauge 304 Stainless Steel Floor Mounted Mop Sink with Left and Right Side Splash Guards - 22" x 21 3/8" x 10" Bowl

#600SMFSS21LR



Technical Data

Bowl Depth	10 Inches
Bowl Front to Back	21 3/8 Inches
Bowl Left to Right	22 Inches
Features	Massachusetts Accepted Plumbing Product NSF Listed
Gauge	16 Gauge
Installation Type	Floor Model
Material	Stainless Steel
Stainless Steel Type	Type 304
Type	Mop Sinks

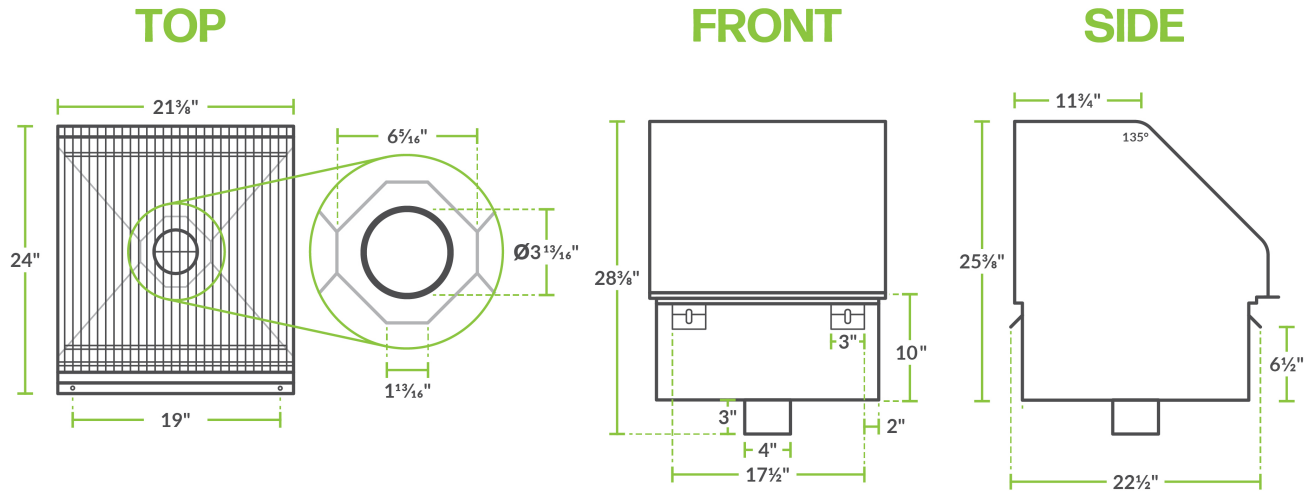
Features

- Welded seams for a smooth finish
- 16-gauge type 304-series stainless steel bowl
- Great for mop cleaning and water disposal
- Great for janitorial closets, utility rooms, and warehouses
- 4" O.D. 3" long drain sleeve

Certifications



Plan View



Notes & Details

Keep your staff safe by eliminating heavy lifting of mop buckets with this floor mounted mop sink with left and right side splash guards from Regency Tables and Sinks. The bowl is made of high-quality 16-gauge type 304 stainless steel for reliable service. This gauge is thicker and much more durable than many similar sinks available that are made of 18-gauge stainless steel. Additionally, type 304 stainless steel is exceptionally corrosion-resistant and easy to clean! It also has TIG welded areas, which are blended to match adjacent surfaces to a satin-smooth finish.

The 22" x 21 3/8" x 10" compartment offers rounded corners and ample space to conveniently wash your mop. In addition, the drain includes a 3 1/2" basket strainer to eliminate the possibility of clogging. By regularly maintaining your drainage system, you will cut down on possible service and replacements costs.

Thanks to the standard 16 1/2" high backsplash and left and right side splash guards, water splashes will be confined inside the sink and then directly drip down into the drain. This added feature helps maintain the integrity of your floor to keep your establishment in its best condition. Perfect for use in any restaurant kitchen or dish room, this floor mounted mop sink gives you a convenient and sanitary way of disposing dirty water and other liquids.

WARNING: This product can expose you to chemicals including lead, which are known to the State of California to cause cancer, birth defects, or other reproductive harm. For more information, go to www.p65warnings.ca.gov.