

REGENCY
Tables and Sinks

Regency 33" 16-Gauge Stainless Steel One Compartment Floor Mop Sink - 28" x 20" x 6" Bowl

#600SM20286



Technical Data

Length	32 Inches
Width	24 Inches
Height	11 1/2 Inches
Bowl Depth	6 Inches
Bowl Front to Back	20 Inches
Bowl Left to Right	28 Inches
Features	Massachusetts Accepted Plumbing Product NSF Listed
Gauge	16 Gauge
Installation Type	Floor Model

Features

- Rounded corners for easy cleaning
- 16-gauge type 304-series stainless steel bowl
- 3 1/2" drain basket and wall clip included
- Bowl size is 28" x 20" x 6"
- Allows for easy disposal of water

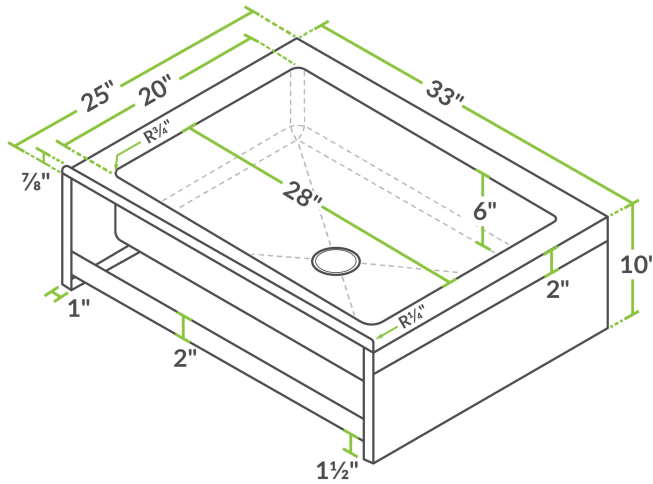
Certifications



Technical Data

Material	Stainless Steel
Stainless Steel Type	Type 304
Type	Mop Sinks

Plan View



Notes & Details

Keep your staff safe by eliminating heavy lifting of mop buckets with this 33" one compartment floor mounted mop sink from Regency Tables and Sinks. The bowl is made of high-quality 16-gauge type 304 stainless steel for reliable service, this gauge is thicker and much more durable than many similar sinks available that are made of 18-gauge stainless steel. Additionally, type 304 stainless steel is exceptionally corrosion-resistant and easy to clean! It also has TIG welded areas, which are blended to match adjacent surfaces to a satin-smooth finish.

The 28" x 20" x 6" compartment offers rounded corners and ample space to conveniently wash your mop. In addition, the drain includes a 3 1/2" basket strainer to eliminate the possibility of clogging. By regularly maintaining your drainage system, you will cut down on possible service and replacements costs.

Thanks to the high sides, water splashes will be confined inside the sink and then directly drip down into the drain. This added feature helps maintain the integrity of your wall and floor to keep your establishment in its best condition. Perfect for use in any restaurant kitchen or dish room, this floor mop sink gives you a convenient and sanitary way of disposing dirty water and other liquids.

WARNING: This product can expose you to chemicals including Lead and Nickel, which are known to the State of California to cause cancer, birth defects, or other reproductive harm. For more information, go to www.p65warnings.ca.gov.