



Regency 16-Gauge Stainless Steel One Compartment Corner Mop Sink with Notched Front - 20" x 16" x 12" Bowl

#600SM162012C



Technical Data

Length	22 1/2 Inches
Width	18 3/4 Inches
Height	16 Inches
Bowl Depth	12 Inches
Bowl Front to Back	16 Inches
Bowl Left to Right	20 Inches
Features	Massachusetts Accepted Plumbing Product NSF Listed
Gauge	16 Gauge
Installation Type	Floor Model

Features

- Rounded corners for easy cleaning
- 16-gauge type 304-series stainless steel bowl
- 3 1/2" drain basket and wall clip included
- Bowl size is 20" x 16" x 12"
- Notched front allows for easy disposal of water

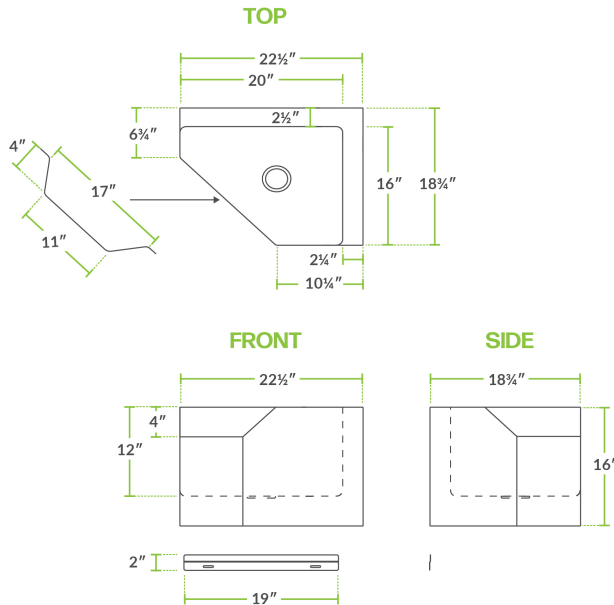
Certifications



Technical Data

Material	Stainless Steel
Stainless Steel Type	Type 304
Style	Notched
Type	Mop Sinks

Plan View



Notes & Details

Keep your staff safe by eliminating heavy lifting of mop buckets with this one compartment corner mop sink with notched front from Regency Tables and Sinks. The bowl is made of high-quality 16-gauge type 304 stainless steel for reliable service. This gauge is thicker and much more durable than many similar sinks available that are made of 18-gauge stainless steel. Additionally, type 304 stainless steel is exceptionally corrosion-resistant and easy to clean! It also has TIG welded areas, which are blended to match adjacent surfaces to a satin-smooth finish.

The 20" x 16" x 12" compartment offers rounded corners and ample space to conveniently wash your mop. This sink has a 4" notched front so you can pour water out of large containers without the risk of them moving during use. This eliminates the need to lift heavy mop buckets full of water over the edge to dump it out! In addition, the drain includes a 3 1/2" basket strainer to eliminate the possibility of clogging. By regularly maintaining your drainage system, you will cut down on possible service and replacements costs.

Thanks to the high sides, water splashes will be confined inside the sink and then directly drip down into the drain. This added feature helps maintain the integrity of your wall and floor to keep your establishment in its best condition. Perfect for use in any restaurant kitchen or dish room, this floor mop sink gives you a convenient and sanitary way of disposing dirty water and other liquids.

⚠ WARNING: This product can expose you to chemicals including lead, which are known to the State of California to cause cancer, birth defects, or other reproductive harm. For more information, go to www.p65warnings.ca.gov.