

REGENCY
Tables and Sinks

Regency Salamander Broiler Stand

#600SALSTAND



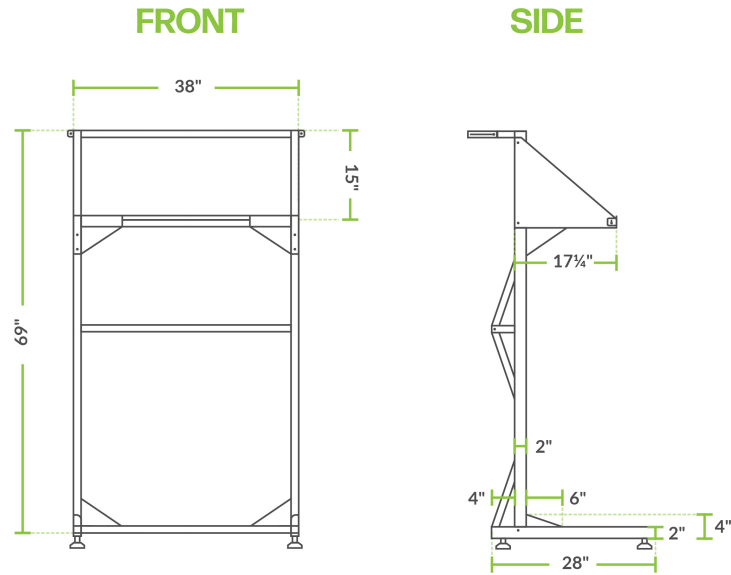
Technical Data

Length	38 Inches
Width	28 Inches
Height	69 Inches
Shelf Height	54 Inches
Assembly Style	Unassembled
Capacity	200 lb.
Color	Silver
Material	Stainless Steel
Stainless Steel Type	Type 304
Type	Shelves, Racks, and Components

Features

- For use with select salamander broilers narrower than 38"
- Shelf sits 54" off ground
- 200 lb. capacity
- Constructed of type 304 stainless steel
- Assembly is required

Plan View



Notes & Details

Use this Regency broiler stand with select salamander broilers. This stand provides a sturdy place for your broiler, holding salamander broilers narrower than 38". It features a shelf that is 54" off the ground.

This stand can support 200 lb. and works with wall anchors to support your broilers. Durable, it's constructed of type 304 stainless steel. Assembly is required.

⚠ WARNING: This product can expose you to chemicals including lead, which are known to the State of California to cause cancer, birth defects, or other reproductive harm. For more information, go to www.p65warnings.ca.gov.