



Regency 16 Gauge Stainless Steel Four Compartment Commercial Sink with Two Drainboards - 24" x 24" x 14" Bowls

#600S4242424X



Technical Data

Length	150 Inches
Width	29 1/2 Inches
Height	43 3/4 Inches
Drainboard Length	24 Inches
Bowl Depth	14 Inches
Basket Drain Size	3 1/2 Inches
Bowl Front to Back	24 Inches
Bowl Left to Right	24 Inches
Faucet Centers	8 Inches
Gauge	16 Gauge

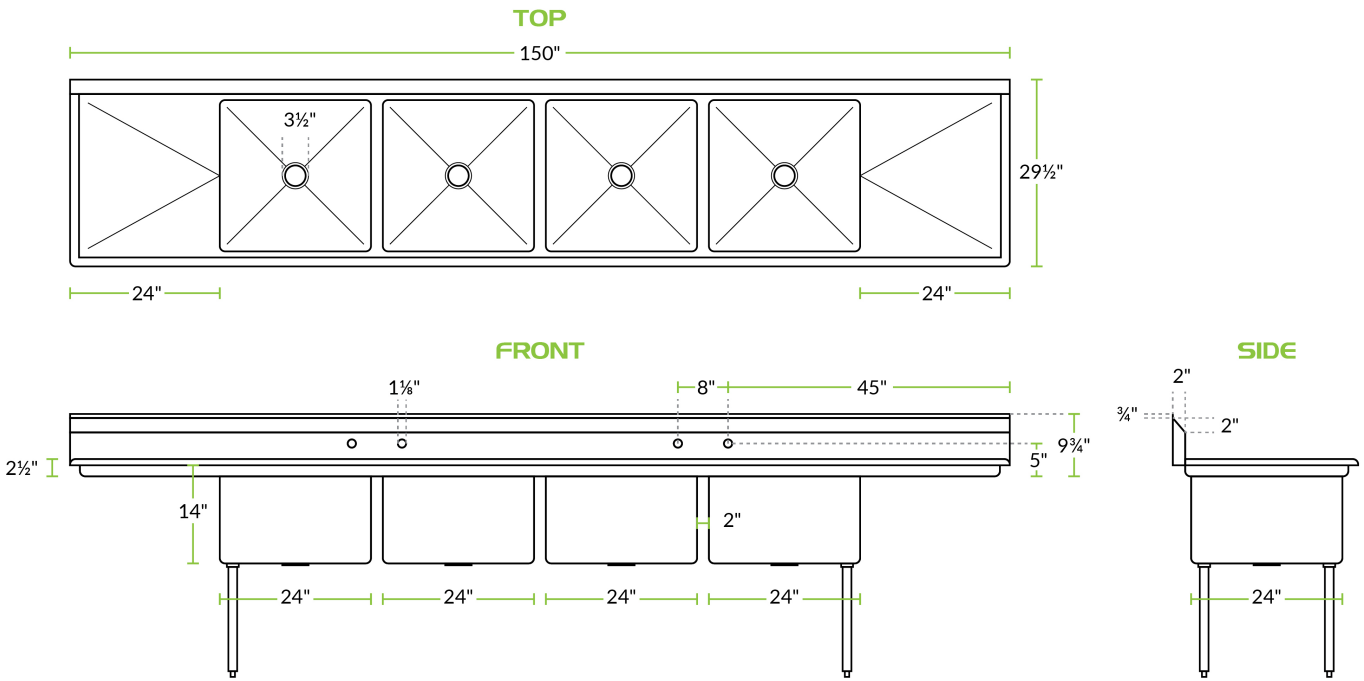
Features

- (4) 24" x 24" x 14" sinks with 24" right and left drainboards
- Made of durable 16 gauge, 304 type stainless steel
- Stainless steel legs, bullet feet, sockets, and crossbracing for maximum strength and longevity
- 3 1/2" drain basket included
- Faucet holes pre-punched on 8" centers (faucet sold separately)

Technical Data

Leg Construction	Stainless Steel
Material	Stainless Steel
Number of Compartments	4 Compartments
Stainless Steel Type	Type 304
Style	2 Drainboards
Type	Straight / Line Sinks

Plan View



Notes & Details

This Regency four compartment stainless steel sink is perfect for dishwashing applications, with a 24" x 24" x 14" sink for each of the three stages of the washing process and one left over to soak dishes. And with a 24" drainboard on each side of the sink, it also provides the space needed for drying pots, pans, and dinnerware.

Made of durable 16 gauge, 304 type stainless steel, the sink is sure to withstand constant use in a bustling commercial environment. Because it uses 304 stainless steel, the metal won't rust or corrode, nor will the stainless steel legs and sockets. For added structural strength, the legs include H-shaped braces, which ensure that all parts of the sink are properly supported at all times. A set of stainless steel bullet feet provide stability and also let you make minor height adjustments to get your sink level.

Faucet holes are pre-punched into the metal on 8" centers to accept two splash mount faucets (sold separately). For your convenience, a 3 1/2" drain basket is included on each sink bowl for easy cleaning.

⚠ WARNING: This product can expose you to chemicals including Lead and Nickel, which are known to the State of California to cause cancer, birth defects, or other reproductive harm. For more information, go to www.p65warnings.ca.gov.