



## Regency 16 Gauge Stainless Steel Three Compartment Commercial Sink - 24" x 24" x 14" Bowls

#600S32424X



### Technical Data

Length	81 Inches
Width	29 1/2 Inches
Height	43 3/4 Inches
Bowl Depth	14 Inches
Basket Drain Size	3 1/2 Inches
Bowl Front to Back	24 Inches
Bowl Left to Right	24 Inches
Drain Outlet Size	1 1/2 Inches
Faucet Centers	8 Inches
Features	NSF Listed

### Features

- Made of high-quality 16-gauge type 304 stainless steel
- Designed with (3) 14" deep bowls and rounded corners for easy cleaning
- Stainless steel legs, bullet feet, sockets, and crossbracing for maximum strength and longevity
- Includes 1 1/2" IPS drain connection and 3 1/2" basket strainers
- Backsplash and rolled edges prevent splashes and overflow

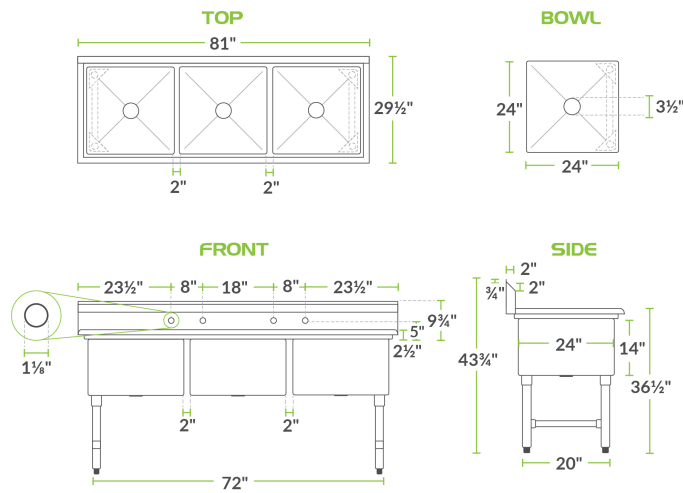
### Certifications



## Technical Data

Gauge	16 Gauge
Leg Construction	Stainless Steel
Material	Stainless Steel
Number of Compartments	3 Compartments
Number of Drainboards	None
Stainless Steel Type	Type 304
Style	0 Drainboards
Type	Straight / Line Sinks

## Plan View



## Notes & Details

Outfit your facility with a long-lasting sink with this Regency three compartment stainless steel sink. Featuring three compartments, the sink is perfect for dishwashing applications, with one 24" x 24" x 14" sink for each of the three stages of the washing process.

Made of durable 16 gauge, 304 type stainless steel, the sink is sure to withstand constant use in a bustling commercial environment. The metal won't rust or corrode, nor will the stainless steel legs and sockets. For added structural strength, the legs include H-shape braces; these ensure that all parts of the corner unit are properly supported at all times. A set of adjustable stainless steel bullet feet provide stability.

Two sets of faucet holes are punched into the metal on 8" centers to accept a splash mount faucet (sold separately). For your convenience, a 3 1/2" drain basket is included for easy cleaning.

**WARNING:** This product can expose you to chemicals including Lead and Nickel, which are known to the State of California to cause cancer, birth defects, or other reproductive harm. For more information, go to [www.p65warnings.ca.gov](http://www.p65warnings.ca.gov).