



Regency 121" 16-Gauge Stainless Steel Three Compartment Commercial Sink with Galvanized Steel Legs and 2 Drainboards - 23" x 23" x 12" Bowls

#600S3232324G



Technical Data

Length	121 Inches
Width	28 13/16 Inches
Height	43 3/4 Inches
Drainboard Length	24 Inches
Bowl Depth	12 Inches
Backsplash Height	10 Inches
Work Surface Height	36 1/2 Inches
Basket Drain Size	3 1/2 Inches
Bowl Front to Back	23 Inches
Bowl Left to Right	23 Inches

Features

- 16-gauge type 304 stainless steel sink with galvanized steel legs and adjustable plastic feet
- Designed with (3) 12" deep bowls and rounded corners for easy cleaning
- Galvanized steel legs with adjustable bullet feet for added stability
- Includes 1 1/2" IPS drain connection and 3 1/2" basket strainers
- Backsplash and rolled edges prevent splashes and overflow

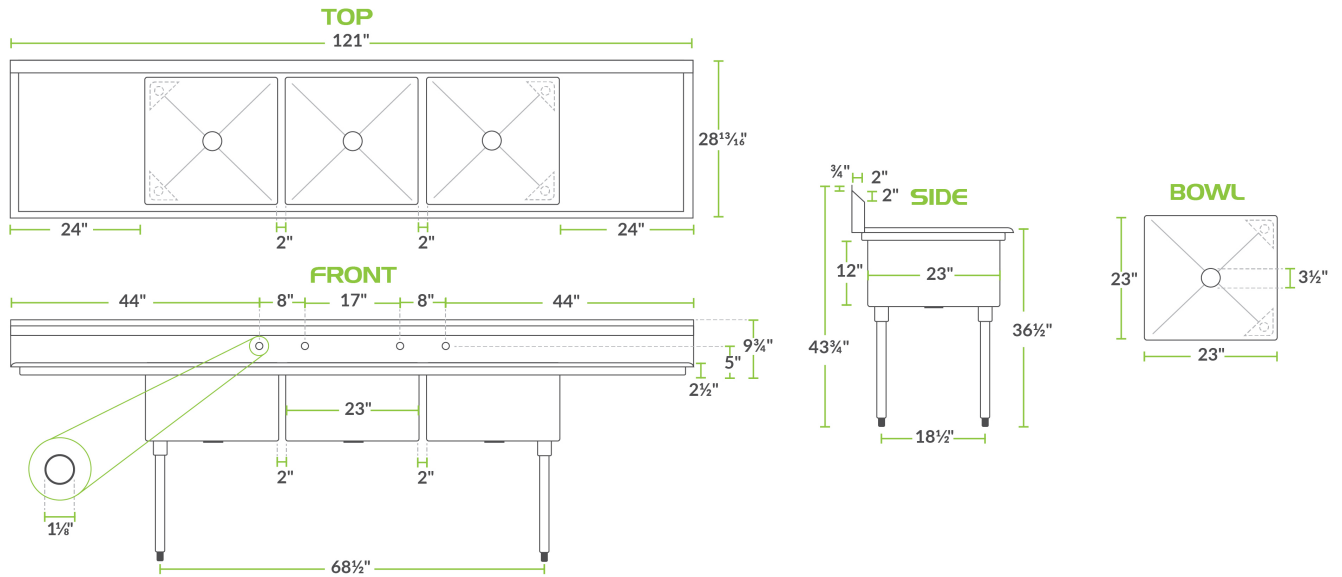
Certifications



Technical Data

Drain Outlet Size	1 1/2 Inches
Faucet Centers	8 Inches
Features	NSF Listed
Gauge	16 Gauge
Leg Construction	Galvanized Steel
Material	Stainless Steel
Number of Compartments	3 Compartments
Number of Drainboards	2 Drainboards
Stainless Steel Type	Type 304

Plan View




Notes & Details

Ideal for setting up a washing, rinsing, and sanitizing station, this Regency 121" 3 compartment sink with 2 drainboards is a great addition to your busy commercial kitchen. It's constructed from high-quality, 16-gauge type 304 stainless steel, making it more corrosion-resistant and durable than other sinks made from thinner, 18-gauge material. This sink features (2) 24" drainboards so you can easily wash and dry dishes and utensils in one convenient location. They're also dipped a minimum of 1/4" to facilitate better drainage. Welded construction contributes to the long-lasting use and overall strength of this sink / drainboard combo.

The 12" deep bowls are die-stamped to a minimum of 1/4" to ensure proper drainage. Plus, it includes 3 1/2" basket strainers to catch food debris, which prevents the drain from clogging. For easy cleaning, the compartment has rounded corners so you can rinse and wipe down the sink.

A 10 3/4" tall backsplash is included and comes complete with (4) 1 1/8" diameter holes punched on 8" centers to accommodate 2 faucets (sold separately). This sink also includes a 1 1/2" raised rolled edge, which is 2" tall on the front and both sides to contain splashes and overflow. The legs are constructed of 1 5/8" diameter galvanized steel with galvanized leg sockets and adjustable plastic feet. These features serve to prolong the life of your sink while adding exceptional strength to the unit.

 **WARNING:** This product can expose you to chemicals including Lead and Nickel, which are known to the State of California to cause cancer, birth defects, or other reproductive harm. For more information, go to www.p65warnings.ca.gov.