



Regency 124" 16-Gauge Stainless Steel Three Compartment Commercial Sink with 2 Drainboards - 20" x 30" x 14" Bowls

#600S3203030X



Technical Data

Length	124 Inches
Width	35 1/2 Inches
Drainboard Length	30 Inches
Bowl Depth	14 Inches
Backsplash Height	10 3/4 Inches
Basket Drain Size	3 1/2 Inches
Bowl Front to Back	30 Inches
Bowl Left to Right	20 Inches
Drain Outlet Size	1 1/2 Inches
Faucet Centers	8 Inches

Features

- Made of high-quality 16 gauge, type 304 stainless steel
- Designed with (3) 14" deep bowls and rounded corners for easy cleaning
- Stainless steel legs, sockets, bullet feet, and crossbracing for maximum strength and longevity
- Includes 1 1/2" IPS drain connection and 3 1/2" basket strainers
- Backsplash and rolled edges prevent splashes and overflow

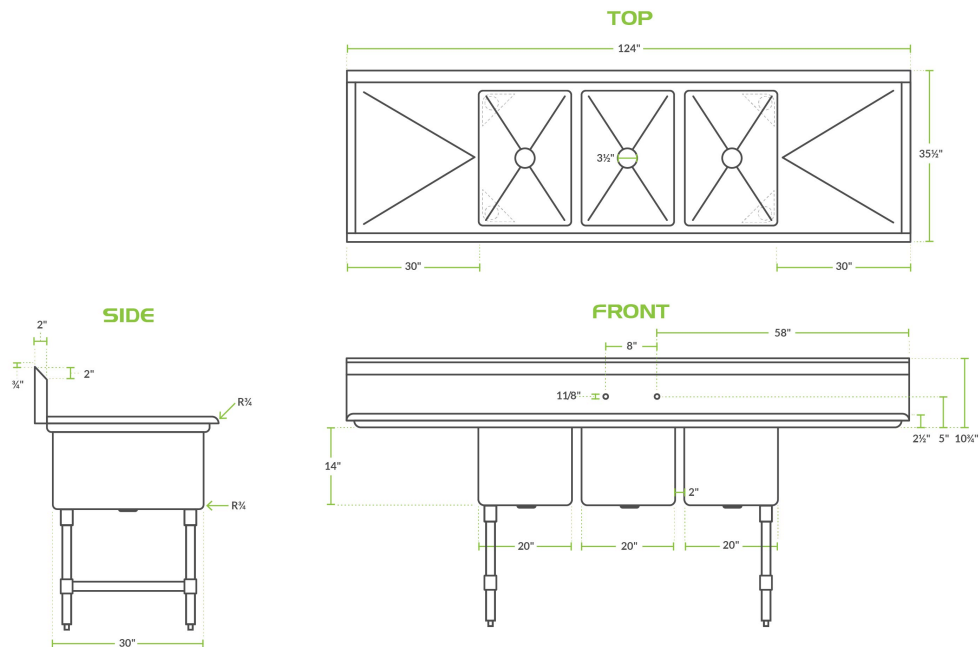
Certifications



Technical Data

Features	NSF Listed
Gauge	16 Gauge
Leg Construction	Stainless Steel
Material	Stainless Steel
Number of Compartments	3 Compartments
Number of Drainboards	2 Drainboards
Stainless Steel Type	Type 304
Style	2 Drainboards
Type	Straight / Line Sinks

Plan View



Notes & Details

Ideal for setting up a washing, rinsing, and sanitizing station, this Regency 124" 3 compartment sink with 2 drainboards is the perfect addition. It's constructed from high-quality, 16-gauge type 304 stainless steel, making it more corrosion-resistant and durable than other sinks made from thinner, 18-gauge material. This sink features (2) 30" drainboards so you can easily wash and dry dishes and utensils in one convenient location. They're dipped a minimum of 1/4" to facilitate better drainage. Welded construction contributes to the long-lasting use and overall strength of this sink / drainboard combination.

No sink is complete without proper drainage, which is why this kit comes with 3 1/2" basket drains with strainers. These catch food debris, which prevent the drain from clogging and keep your sink intact. This kit also provides legs and cross bracings to ensure use on day one. Measuring 18 1/2" long and equipped with an adjustable stainless steel bullet foot to accommodate uneven floors, these 18 gauge stainless steel legs provide your sink with a solid, reliable foundation to rest upon so you always have somewhere to do prep work or wash dirty dishes. The cross bracings provides extra stability, all while prolonging the life of your sink.

Kit Includes:

- (1) Regency 124" 16-Gauge Stainless Steel Three Compartment Commercial Sink with 2 Drainboards - 20" x 30" x 14" Bowls
- (3) Regency 3 1/2" Basket Drains with Strainers - 1 1/2" IPS
- (4) Regency 18 1/2" Stainless Steel Legs for Sinks
- (2) Regency 30" Side Sink Cross Braces

 **WARNING:** This product can expose you to chemicals including lead, which are known to the State of California to cause cancer, birth defects, or other reproductive harm. For more information, go to www.p65warnings.ca.gov.