

**REGENCY**  
Tables and Sinks

**Regency 63" 16 Gauge Stainless Steel Three Compartment Commercial Sink with Galvanized Steel Legs - 24" x 18" x 14" Bowls**

#600S31824G



**Technical Data**

Length	63 Inches
Width	29 1/2 Inches
Height	43 3/4 Inches
Bowl Depth	14 Inches
Backsplash Height	10 3/4 Inches
Work Surface Height	36 1/2 Inches
Basket Drain Size	3 1/2 Inches
Bowl Front to Back	24 Inches
Bowl Left to Right	18 Inches
Drain Outlet Size	1 1/2 Inches

**Features**

- Features a durable 16 gauge type 304 stainless steel construction
- Designed with (3) 14" deep bowls and rounded corners for easy cleaning
- Galvanized steel legs and adjustable plastic bullet feet provide stability
- Includes 1 1/2" IPS drain connection and 3 1/2" basket strainers
- Backsplash and rolled edges prevent splashes and overflow

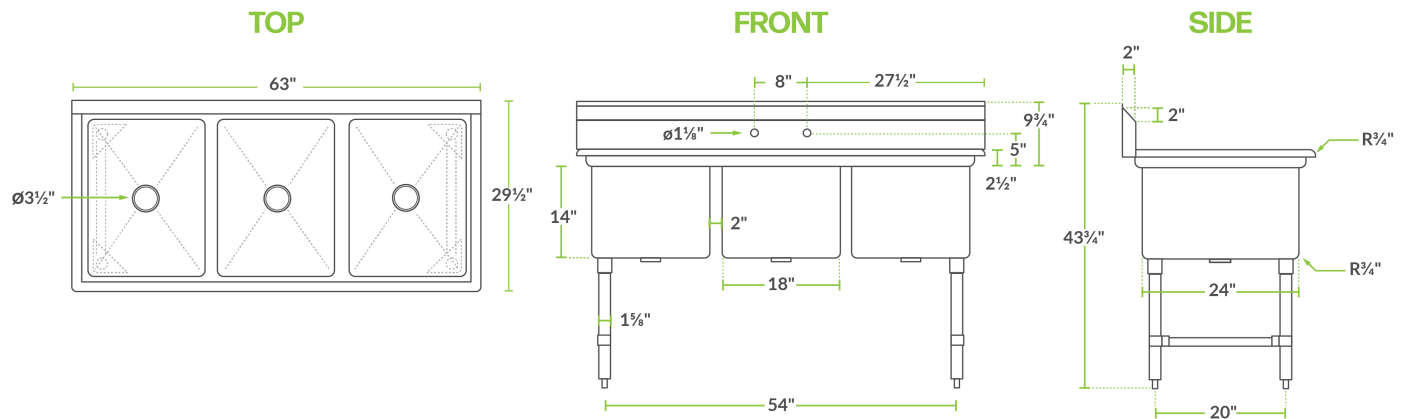
**Certifications**



## Technical Data

Faucet Centers	8 Inches
Features	NSF Listed
Gauge	16 Gauge
Leg Construction	Galvanized Steel
Material	Stainless Steel
Number of Compartments	3 Compartments
Number of Drainboards	None
Stainless Steel Type	Type 304
Style	0 Drainboards
Type	Straight / Line Sinks

## Plan View



## Notes & Details

Outfit your facility with a long-lasting sink with this Regency 63" three compartment stainless steel sink. It's constructed from high-quality, 16 gauge type 304 stainless steel, making it more corrosion-resistant and durable than other sinks made from thinner, 18 gauge material. This sink gives you the durability you need with a smaller profile than most other three compartment models, making it especially ideal for low-volume establishments or those with limited space.

Each bowl is 14" deep, allowing you to wash a variety of large items with ease. Plus, it includes 3 1/2" basket strainers to catch food debris, which prevents the drain from clogging. For easy cleaning, the compartment has rounded corners so you can rinse and wipe down the sink.

A 10 3/4" tall backsplash is included with pre-cut holes on 8" centers to accommodate a splash mount faucet (sold separately). This sink includes a rolled edge on the front and both sides to contain splashes and overflow. This model also has galvanized steel legs and adjustable plastic bullet feet to keep the sink level and stable. These features serve to prolong the life of your sink while adding exceptional strength to the unit.

**WARNING:** This product can expose you to chemicals including lead, which are known to the State of California to cause cancer, birth defects, or other reproductive harm. For more information, go to [www.p65warnings.ca.gov](http://www.p65warnings.ca.gov).