



Regency 63" 16 Gauge Stainless Steel Three Compartment Commercial Sink with Galvanized Steel Legs - 18" x 18" x 14" Bowls

#600S31818G



Technical Data

| | |
|--------------------|---------------|
| Length | 63 Inches |
| Width | 23 1/2 Inches |
| Height | 43 3/4 Inches |
| Bowl Depth | 14 Inches |
| Backsplash Height | 9 Inches |
| Basket Drain Size | 3 1/2 Inches |
| Bowl Front to Back | 18 Inches |
| Bowl Left to Right | 18 Inches |
| Drain Outlet Size | 1 1/2 Inches |
| Faucet Centers | 8 Inches |

Features

- 16-gauge type 304 stainless steel sink with galvanized steel legs and adjustable plastic feet
- Designed with (3) 14" deep bowls and rounded corners for easy cleaning
- Galvanized steel legs with adjustable bullet feet for added stability
- Includes 1 1/2" IPS drain connection and 3 1/2" basket strainers
- Backsplash and rolled edges prevent splashes and overflow

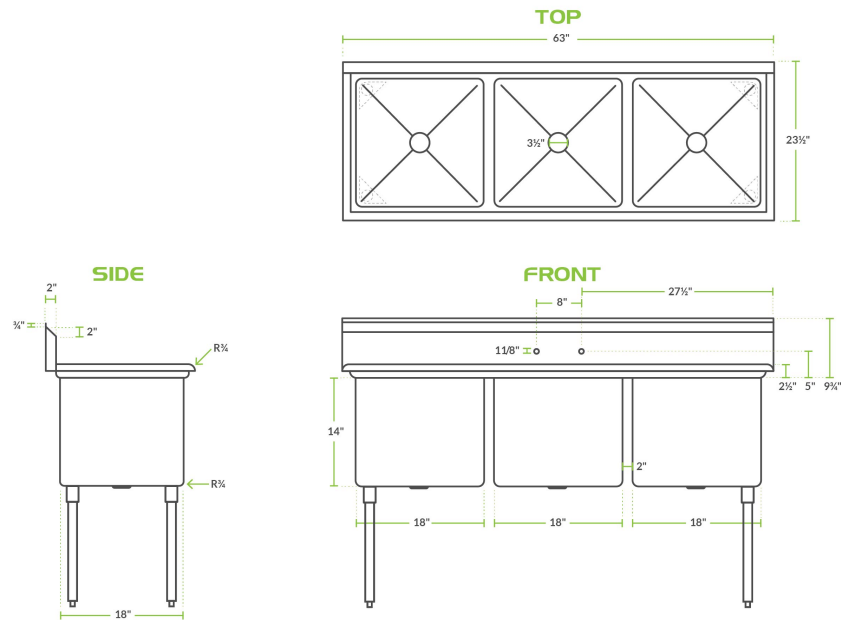
Certifications



Technical Data

| | |
|------------------------|-----------------------|
| Features | NSF Listed |
| Gauge | 16 Gauge |
| Leg Construction | Galvanized Steel |
| Material | Stainless Steel |
| Number of Compartments | 3 Compartments |
| Number of Drainboards | None |
| Stainless Steel Type | Type 304 |
| Style | 0 Drainboards |
| Type | Straight / Line Sinks |

Plan View



Notes & Details

Outfit your facility with a long-lasting sink with this Regency 63" stainless steel 3 compartment sink. It's constructed from high-quality, 16-gauge type 304 stainless steel, making it more corrosion-resistant and durable than other sinks made from thinner, 18-gauge type 430 stainless steel. It's dipped a minimum of 1/4" to facilitate better drainage, and the welded construction contributes to the long-lasting use and overall strength of this sink.

The 14" deep bowls are die-stamped to a minimum of 1/4" to ensure proper drainage. Plus, each bowl includes a 3 1/2" basket strainer to catch food debris, which prevents the drain from clogging. For easy cleaning, each compartment has rounded corners so you can rinse and wipe down the sink.

A 9" tall backplash is included and comes complete with (2) 1 1/8" diameter holes punched on 8" centers to accommodate 1 faucet (sold separately). This sink also includes a 1 1/2" raised rolled edge, which is 2" tall on the front and both sides to contain splashes and overflow. This model has galvanized steel legs and adjustable plastic bullet feet to keep the sink level and stable.

WARNING: This product can expose you to chemicals including lead, which are known to the State of California to cause cancer, birth defects, or other reproductive harm. For more information, go to www.p65warnings.ca.gov.