



Regency 78 1/2" 16 Gauge Stainless Steel Three Compartment Commercial Sink with Galvanized Steel Legs and 1 Drainboard - 18" x 18" x 14" Bowls - Right Drainboard

#600S318181GR



Technical Data

Length	78 1/2 Inches
Width	29 1/2 Inches
Height	43 3/4 Inches
Drainboard Length	18 Inches
Bowl Depth	14 Inches
Backsplash Height	9 Inches
Work Surface Height	32 Inches
Basket Drain Size	3 1/2 Inches
Bowl Front to Back	18 Inches
Bowl Left to Right	18 Inches

Features

- 16-gauge type 304 stainless steel sink with galvanized steel legs and adjustable plastic feet
- Designed with (3) 14" deep bowls and rounded corners for easy cleaning
- Galvanized steel legs with adjustable bullet feet for added stability
- Includes 1 1/2" IPS drain connection and 3 1/2" basket strainers
- Backsplash and rolled edges prevent splashes and overflow

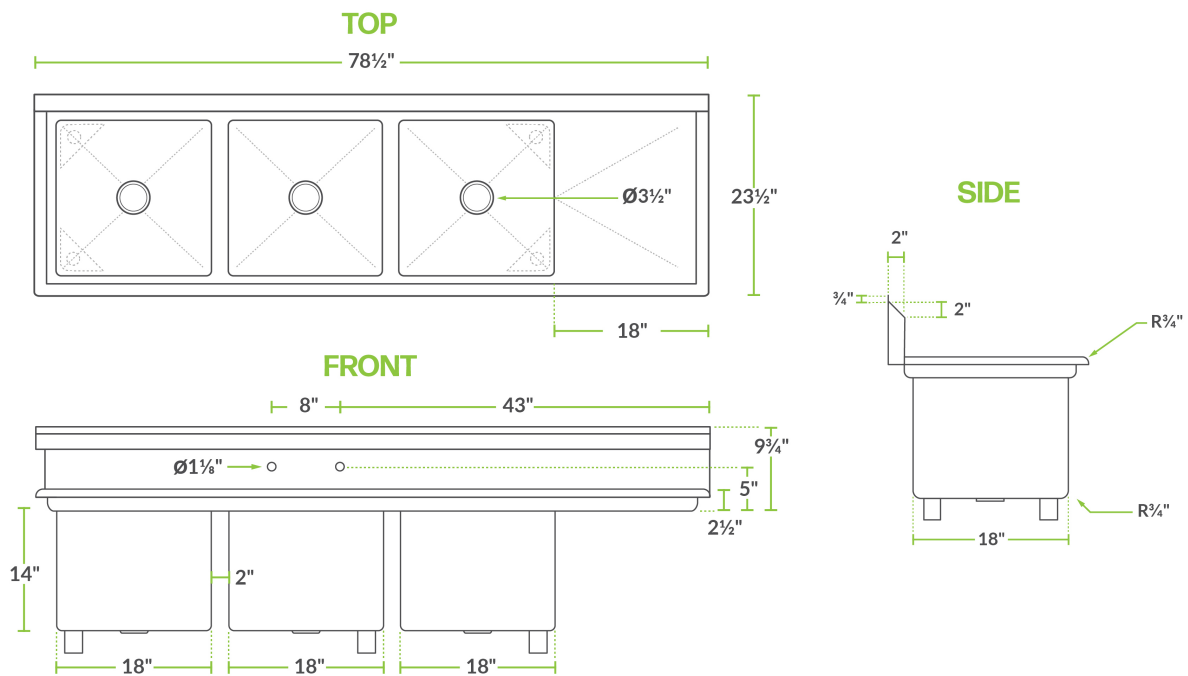
Certifications



Technical Data

Drain Outlet Size	1 1/2 Inches
Faucet Centers	8 Inches
Features	NSF Listed
Gauge	16 Gauge
Leg Construction	Galvanized Steel
Material	Stainless Steel
Number of Compartments	3 Compartments
Number of Drainboards	1 Drainboard
Stainless Steel Type	Type 304
Style	1 Drainboard
Type	Straight / Line Sinks

Plan View



Notes & Details

Ideal for setting up a washing, rinsing, and sanitizing station, this Regency 78 1/2" 3 compartment sink with 1 drainboard is a great addition to your busy commercial kitchen. It's constructed from high-quality, 16-gauge type 304 stainless steel, making it more corrosion-resistant and durable than other sinks made from thinner, 18-gauge type 430 stainless steel. This sink features a sturdy, 18" drainboard so you can easily wash and dry dishes and utensils in one convenient location. It's dipped a minimum of 1/4" to facilitate better drainage, and the welded construction contributes to the long-lasting use and overall strength of this sink / drainboard combo.

The 14" deep bowls are die-stamped to a minimum of 1/4" to ensure proper drainage. Plus, each bowl includes a 3 1/2" basket strainer to catch food debris, which prevents the drain from clogging. For easy cleaning, each compartment has rounded corners so you can rinse and wipe down the sink.

A 9" tall backsplash is included and comes complete with (2) 1 1/8" diameter holes punched on 8" centers to accommodate 1 faucet (sold separately). This sink also includes a 1 1/2" raised rolled edge, which is 2" tall on the front and both sides to contain splashes and overflow. Galvanized steel legs with sockets and adjustable bullet feet provide added stability.

 **WARNING:** This product can expose you to chemicals including lead, which are known to the State of California to cause cancer, birth defects, or other reproductive harm. For more information, go to www.p65warnings.ca.gov.