



Regency 91" 16-Gauge Stainless Steel Three Compartment Commercial Sink with Galvanized Steel Legs and 2 Drainboards - 17" x 17" x 12" Bowls

#600S317172G



Technical Data

Length	91 Inches
Width	22 1/2 Inches
Height	44 3/4 Inches
Drainboard Length	18 Inches
Bowl Depth	12 Inches
Backsplash Height	8 1/4 Inches
Work Surface Height	36 1/2 Inches
Basket Drain Size	3 1/2 Inches
Bowl Front to Back	17 Inches
Bowl Left to Right	17 Inches

Features

- 16 gauge type 304 stainless steel sink with galvanized steel legs and adjustable plastic feet
- Designed with (3) 12" deep bowls and rounded corners for easy cleaning
- Galvanized steel legs with adjustable bullet feet for added stability
- Includes 1 1/2" IPS drain connection and 3 1/2" basket strainers
- Backsplash and rolled edges prevent splashes and overflow

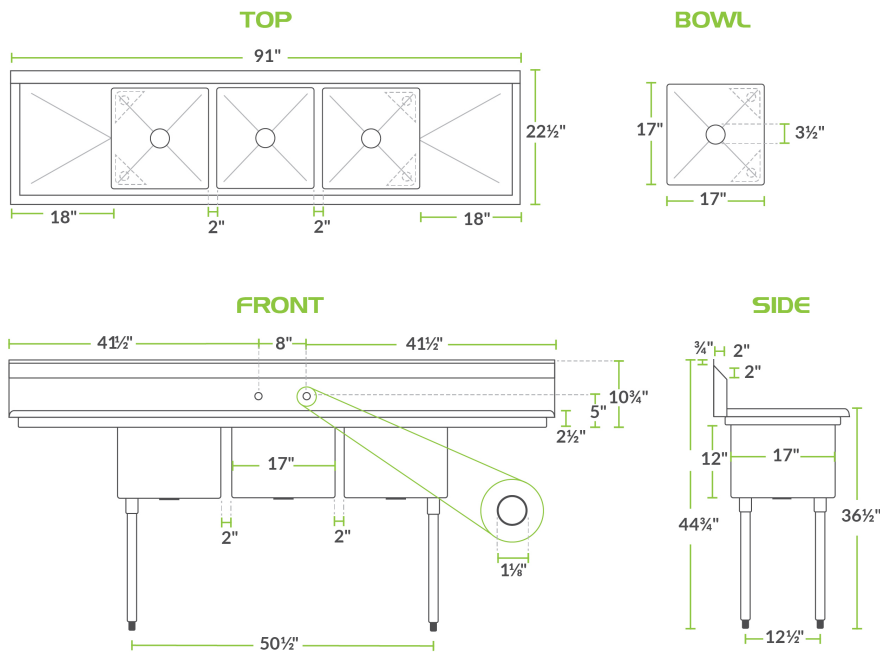
Certifications



Technical Data

Drain Outlet Size	1 1/2 Inches
Faucet Centers	8 Inches
Features	NSF Listed
Gauge	16 Gauge
Leg Construction	Galvanized Steel
Material	Stainless Steel
Number of Compartments	3 Compartments
Number of Drainboards	2 Drainboards
Stainless Steel Type	Type 304
Style	2 Drainboards
Type	Straight / Line Sinks


Plan View



Notes & Details

This versatile Regency three compartment stainless steel commercial sink with drainboards offers you the divided bowls that you need to efficiently clean your dishes at an affordable price! This sink's three compartments allow you to conveniently complete the entire dishwashing process--washing, rinsing, and sanitizing--within the same unit. Ideal for any establishment, its multipurpose functionality and durable design will go a long way in your commercial kitchen. Made of 16 gauge type 304 stainless steel for long-lasting durability and exceptional resistance to corrosion, and supported by 1 5/8" galvanized steel legs, you can always be sure that your sink is stable and ready for use. Each sink bowl measures 17" x 17" with a 12" depth to hold water, sanitizer, dishes, and more, while (3) 3 1/2" basket strainers prevent scraps of food from clogging your plumbing. For sanitation, the coved corners of the sink bowls allow for fast and easy cleaning.

This sink comes with a 18" drainboard on either side to help dry wet dishes, and the backsplash is 10 3/4" tall to keep your walls dry. A 2 1/2" raised rolled edge provides comfort and helps contain splashes and overflow. Adjustable plastic bullet feet allow you to level the sink on uneven flooring for sure stability, and precut holes are drilled into the backsplash on 8" centers for your wall-mounted faucet (sold separately).

 **WARNING:** This product can expose you to chemicals including Lead and Nickel, which are known to the State of California to cause cancer, birth defects, or other reproductive harm. For more information, go to www.p65warnings.ca.gov.