

REGENCY
Tables and Sinks

Regency 54" 16-Gauge Stainless Steel Three Compartment Commercial Sink with Galvanized Steel Legs and without Drainboards - 15" x 15" x 12" Bowls

#600S31515G



Technical Data

Length	54 Inches
Width	20 1/2 Inches
Height	44 3/4 Inches
Bowl Depth	12 Inches
Work Surface Height	36 1/2 Inches
Basket Drain Size	3 1/2 Inches
Bowl Front to Back	15 Inches
Bowl Left to Right	15 Inches
Drain Outlet Size	1 1/2 Inches
Faucet Centers	8 Inches

Features

- 16-gauge type 304 stainless steel construction makes for long-lasting durability
- Compact design is perfect for locations with limited space
- Galvanized steel legs with adjustable bullet feet for added stability
- Includes 1 1/2" IPS drain connection and 3 1/2" basket strainers
- Backsplash and rolled edges prevent splashes and overflow

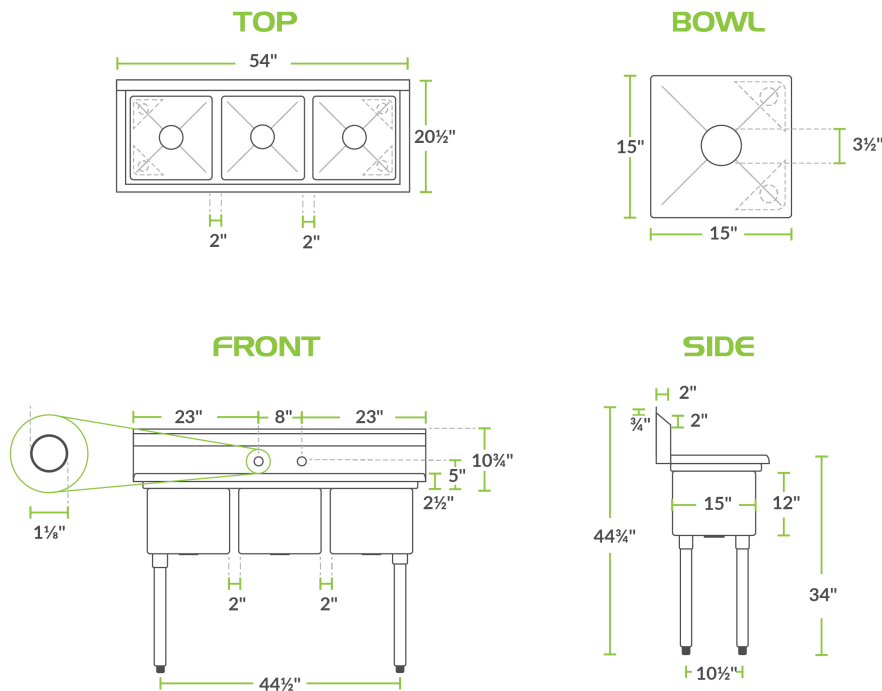
Certifications



Technical Data

Features	NSF Listed
Gauge	16 Gauge
Leg Construction	Galvanized Steel
Material	Stainless Steel
Number of Compartments	3 Compartments
Number of Drainboards	None
Stainless Steel Type	Type 304
Style	0 Drainboards
Type	Straight / Line Sinks

Plan View



Notes & Details

This versatile Regency three compartment stainless steel commercial sink offers you the divided bowls that you need to efficiently clean your dishes at an affordable price! Constructed with 16-gauge type 304 stainless steel, this sink's three compartments allow you to conveniently complete the entire dishwashing process--washing, rinsing, and sanitizing--within the same compact unit.

This three compartment commercial sink rests atop four galvanized tubular legs with galvanized sockets and adjustable plastic feet. It features a 10 3/4" backsplash with two holes punched on 8" centers to accommodate a wall-mounted faucet (sold separately). The front and sides have a 2 1/2" rolled edge to help contain splashes and overflow.

Each compartment is 12" deep with a 3 1/2" basket strainer. For easy cleaning, each compartment has rounded corners.

⚠ WARNING: This product can expose you to chemicals including Lead and Nickel, which are known to the State of California to cause cancer, birth defects, or other reproductive harm. For more information, go to www.p65warnings.ca.gov.