



## Regency 70" 16 Gauge Stainless Steel Three Compartment Sink with Galvanized Steel Legs and Two Drainboards - 14" x 16" x 12" Bowls

#600S3141612G



### Technical Data

Length	70 Inches
Width	21 1/2 Inches
Height	43 3/4 Inches
Drainboard Length	12 Inches
Bowl Depth	12 Inches
Bowl Front to Back	16 Inches
Bowl Left to Right	14 Inches
Faucet Centers	8 Inches
Features	NSF Listed
Gauge	16 Gauge

### Features

- 16-gauge type 304 stainless steel sink with galvanized steel legs and adjustable plastic feet
- Designed with (3) 12" deep bowls and rounded corners for easy cleaning
- Galvanized steel legs with adjustable bullet feet for added stability
- Includes 1 1/2" IPS drain connection and 3 1/2" basket strainers
- Backsplash and rolled edges prevent splashes and overflow

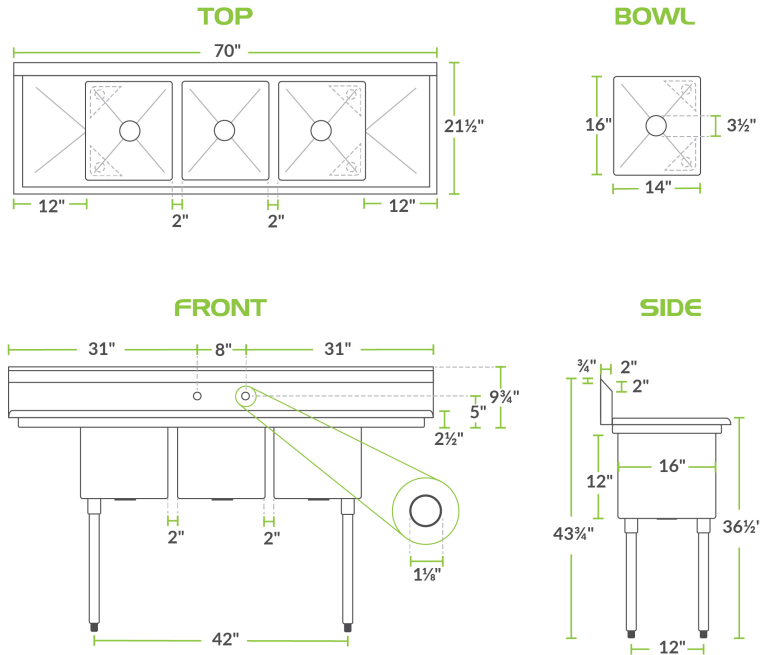
### Certifications



## Technical Data

Leg Construction	Galvanized Steel
Material	Stainless Steel
Number of Compartments	3 Compartments
Number of Drainboards	2 Drainboards
Stainless Steel Type	Type 304
Style	2 Drainboards
Type	Straight / Line Sinks

## Plan View



## Notes & Details

Outfit your facility with a long-lasting sink with this Regency three compartment stainless steel sink with two drainboards. Featuring three compartments, this sink is perfect for dishwashing applications, with one 14" x 16" x 12" sink for each of the three stages of the washing process. Plus, one left 12" and one right 12" drainboard are built into the unit for added convenience. They provide the space needed for drying pots, pans, and dinnerware.

Made of durable 16 gauge type 304 stainless steel, the sink is sure to withstand constant use in a bustling commercial environment. The metal won't rust or corrode, nor will the galvanized steel legs and sockets. For added structural strength, the legs include H-shape braces; these ensure that all parts of the corner unit are properly supported at all times. A set of plastic bullet feet provide stability.

Faucet holes are punched into the metal on 8" centers to accept a splash mount faucet (sold separately). A 3 1/2" drain basket is included to help collect excess waste, eliminating the possibility of clogging.

**⚠️ WARNING:** This product can expose you to chemicals including Lead and Nickel, which are known to the State of California to cause cancer, birth defects, or other reproductive harm. For more information, go to [www.p65warnings.ca.gov](http://www.p65warnings.ca.gov).