



Regency 44 1/2" 16 Gauge Stainless Steel Three Compartment Commercial Corner Sink with Two Drainboards - 14" x 14" x 14" Bowls

#600S3141414XC



Technical Data

Length	44 1/2 Inches
Width	19 1/2 Inches
Height	43 3/4 Inches
Drainboard Length	14 Inches
Bowl Depth	14 Inches
Basket Drain Size	3 1/2 Inches
Bowl Front to Back	14 Inches
Bowl Left to Right	14 Inches
Faucet Centers	8 Inches
Features	NSF Listed

Features

- Made of high-quality 16 gauge, type 304 stainless steel
- Corner design for maximum space-efficiency; legs feature H-shape cross braces to provide ample structural support
- Stainless steel legs, sockets, and bullet feet for maximum strength and longevity
- Includes 1 1/2" IPS drain connection and 3 1/2" basket strainers
- Two sets of faucet holes pre-punched on 8" centers (faucet sold separately)

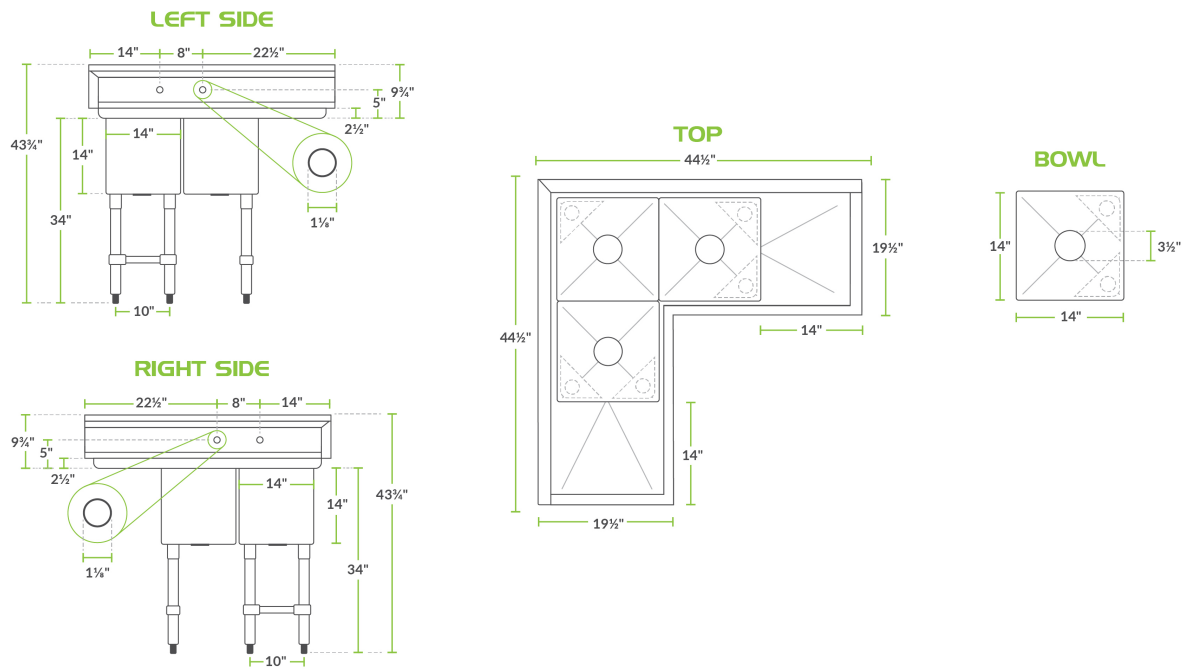
Certifications



Technical Data

Gauge	16 Gauge
Leg Construction	Stainless Steel
Material	Stainless Steel
Number of Compartments	3 Compartments
Number of Drainboards	2 Drainboards
Stainless Steel Type	Type 304
Style	2 Drainboards
Type	Corner Sinks

Plan View



Notes & Details

Outfit your facility with a long-lasting sink with this Regency three compartment stainless steel corner sink with two drainboards. Featuring three compartments, the sink is perfect for dishwashing applications, with one 14" x 14" x 14" sink for each of the three stages of the washing process. Plus, the corner design helps maximize your back-of-house space and create an efficient layout. One left 14" and one right 14" drainboard are built into the unit for added convenience.

Made of durable 16 gauge, 304 type stainless steel, the sink is sure to withstand constant use in a bustling commercial environment. The metal won't rust or corrode, nor will the stainless steel legs, sockets, or bullet feet. For added structural strength, the legs include H-shape cross braces; these ensure that all parts of the corner unit are properly supported at all times.

Faucet holes are punched into the metal on 8" centers to accept a splash mount faucet (sold separately), and a 3 1/2" drain basket is included for easy cleaning.

⚠ WARNING: This product can expose you to chemicals including Lead and Nickel, which are known to the State of California to cause cancer, birth defects, or other reproductive harm. For more information, go to www.p65warnings.ca.gov.