



Regency 36" 16-Gauge Stainless Steel Three Compartment Commercial Utility Sink - 12" x 18" x 14" Bowl

#600S31218SB



Technical Data

| | |
|---------------------|---|
| Length | 36 Inches |
| Width | 21 1/2 Inches |
| Height | 41 Inches |
| Bowl Depth | 14 Inches |
| Backsplash Height | 8 3/4 Inches |
| Work Surface Height | 33 Inches |
| Bowl Front to Back | 18 Inches |
| Bowl Left to Right | 12 Inches |
| Faucet Centers | 8 Inches |
| Features | Massachusetts Accepted Plumbing Product |

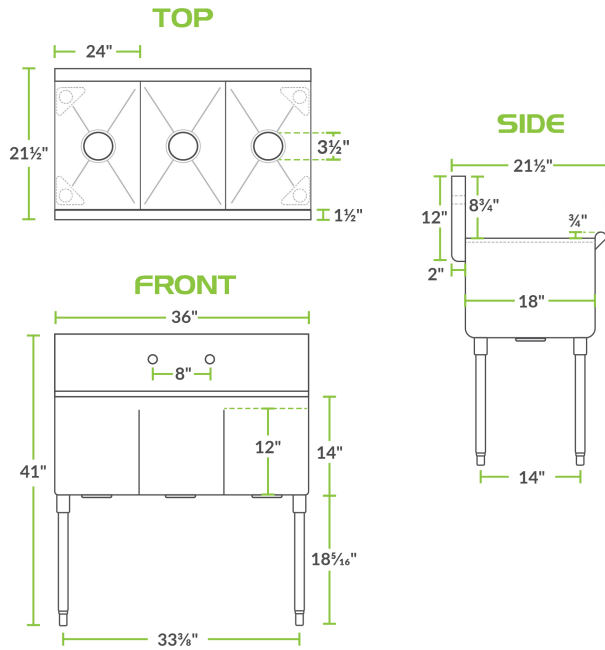
Features

- Constructed of corrosion-resistant 16-gauge, type 304 stainless steel
- Galvanized steel legs and adjustable bullet feet provide stability
- Deep bowl accommodates large items
- Accepts wall-mounted faucets on 8" centers (sold separately)
- Ideal for a variety of janitorial or commercial kitchen applications

Technical Data

| | |
|------------------------|------------------|
| Gauge | 16 Gauge |
| Installation Type | Freestanding |
| Leg Construction | Galvanized Steel |
| Material | Stainless Steel |
| Number of Compartments | 3 Compartments |
| Stainless Steel Type | Type 304 |

Plan View



Notes & Details

This Regency 36" 16-gauge stainless steel three compartment commercial utility sink is a great economical choice for an array of establishments. It's constructed from sturdy, 16-gauge type 304 stainless steel, making it more corrosion-resistant and durable than other sinks made from thinner, 18-gauge material. It also boasts three 14" deep bowls perfect for accommodating larger items such as mop buckets. A 1 1/2" IPS drain and a convenient strainer basket come standard with this unit.

With three compartments, you can utilize the space in your kitchen to create an efficient workflow. An 8 3/4" tall backsplash is included to protect your walls and it comes complete with two holes punched on 8" centers for a wall-mounted faucet (sold separately). The legs are constructed of galvanized steel with bullet feet with 1" of adjustability so you can install this sink to best fit your needs. This unit is ideal for a variety of janitorial and commercial kitchen applications.

⚠ WARNING: This product can expose you to chemicals including lead, which are known to the State of California to cause cancer, birth defects, or other reproductive harm. For more information, go to www.p65warnings.ca.gov.