



Regency 96" 16-Gauge Stainless Steel Two Compartment Commercial Sink with Stainless Steel Legs, Cross Bracing, and 2 Drainboards - 23" x 23" x 12" Bowls

#600S2232324X



Technical Data

| | |
|---------------------|---------------|
| Length | 96 Inches |
| Width | 28 Inches |
| Height | 44 3/4 Inches |
| Drainboard Length | 24 Inches |
| Bowl Depth | 12 Inches |
| Backsplash Height | 9 Inches |
| Work Surface Height | 34 3/4 Inches |
| Basket Drain Size | 3 1/2 Inches |
| Bowl Front to Back | 23 Inches |
| Bowl Left to Right | 23 Inches |

Features

- Features a welded 16-gauge, 304 stainless steel construction
- Designed with (2) 12" deep bowls and rounded corners for easy cleaning
- Stainless steel legs, sockets, bullet feet, and crossbracing for maximum strength and longevity
- 3 1/2" drain baskets included
- Rolled edge contains splashes and overflow

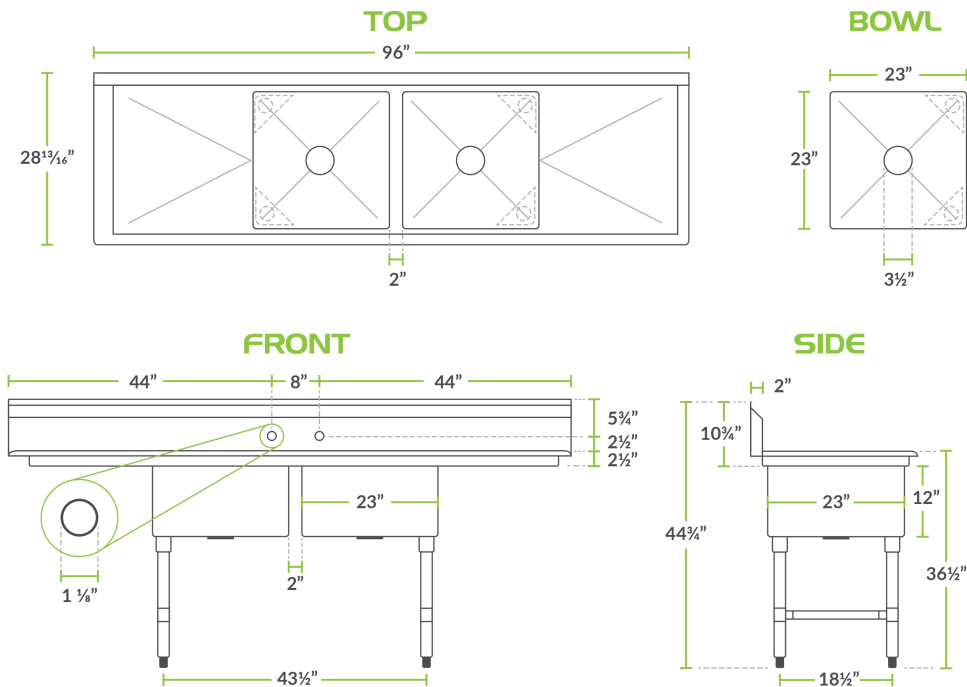
Certifications



Technical Data

| | |
|------------------------|-----------------------|
| Faucet Centers | 8 Inches |
| Features | NSF Listed |
| Gauge | 16 Gauge |
| Leg Construction | Stainless Steel |
| Material | Stainless Steel |
| Number of Compartments | 2 Compartments |
| Stainless Steel Type | Type 304 |
| Style | 2 Drainboards |
| Type | Straight / Line Sinks |

Plan View



Notes & Details

Outfit your facility with a long-lasting sink with this Regency 96" stainless steel two compartment sink with 2 drainboards. It's constructed from high-quality, 16-gauge type 304 stainless steel, making it more corrosion-resistant and durable than other sinks made from thinner, 18-gauge material. This sink features 2 sturdy, 24" drainboards so you can easily wash and dry dishes and utensils in one convenient location. It's also dipped a minimum of 1/4" to facilitate better drainage, and the welded construction contributes to the long-lasting use and overall strength of this sink / drainboard combo.

The 12" deep bowls are die-stamped to a minimum of 1/4" to ensure proper drainage. Plus, each bowl includes a 3 1/2" basket strainer to catch food debris, which prevents the drain from clogging. For easy cleaning, each compartment has rounded corners so you can rinse and wipe down the sink.

A 9" tall backsplash is included and comes complete with (2) 1 1/8" diameter holes punched on 8" centers to accommodate 1 faucet (sold separately). This sink also includes a 1 1/2" raised rolled edge, which is 2" tall on the front and both sides to contain splashes and overflow. The legs are constructed of 1 5/8" diameter stainless steel with stainless steel cross-bracing and adjustable plastic feet for added stability. These features serve to prolong the life of your sink while adding exceptional strength to the unit.

 **WARNING:** This product can expose you to chemicals including lead, which are known to the State of California to cause cancer, birth defects, or other reproductive harm. For more information, go to www.p65warnings.ca.gov.