



## Regency 96" 16 Gauge Stainless Steel Two Compartment Sink with Galvanized Steel Legs and 2 Drainboards - 23" x 23" x 12" Bowls

#600S2232324G



### Technical Data

|                     |               |
|---------------------|---------------|
| Length              | 96 Inches     |
| Width               | 28 Inches     |
| Height              | 44 3/4 Inches |
| Drainboard Length   | 24 Inches     |
| Bowl Depth          | 12 Inches     |
| Work Surface Height | 34 3/4 Inches |
| Basket Drain Size   | 3 1/2 Inches  |
| Bowl Front to Back  | 23 Inches     |
| Bowl Left to Right  | 23 Inches     |
| Faucet Centers      | 8 Inches      |

### Features

- Made of high-quality 16 gauge, type 304 stainless steel
- Galvanized 1 5/8" steel legs with sockets and adjustable bullet feet for added stability
- Faucet holes pre-punched on 8" centers (faucet sold separately)
- Includes two 24" drainboards and 3 1/2" IPS drain connection
- Rolled edge contains splashes and overflow

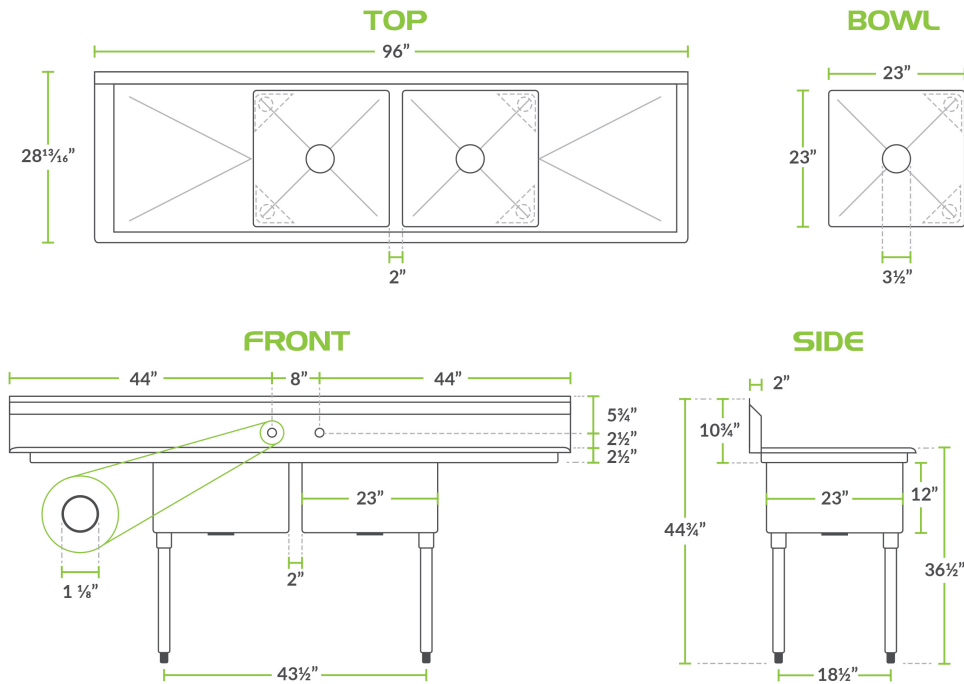
### Certifications



## Technical Data

|                        |                  |
|------------------------|------------------|
| Features               | NSF Listed       |
| Gauge                  | 16 Gauge         |
| Leg Construction       | Galvanized Steel |
| Material               | Stainless Steel  |
| Number of Compartments | 2 Compartments   |
| Number of Drainboards  | 2 Drainboards    |
| Stainless Steel Type   | Type 304         |
| Style                  | 2 Drainboards    |

## Plan View



## Notes & Details

Wash, prep, or clean with ease when you use this 96" two compartment commercial sink with two 24" drainboards from Regency Tables and Sinks. Made of high-quality 16 gauge, type 304 stainless steel for reliable service, this gauge is thicker and much more durable than many similar sinks available. Additionally, type 304 stainless steel is exceptionally corrosion-resistant and easy to clean!

Each compartment offers rounded corners and ample space to either wash, rinse, or sanitize your items as needed. In addition, the drains include 3 1/2" basket strainers to eliminate the possibility of clogging. By regularly maintaining your drainage system, you will cut down on possible service and replacement costs.

Thanks to the high backsplash, water splashes will be confined inside the sink and then directly drip down into the drain. This added feature helps maintain the integrity of your wall and floor to keep your establishment in its best condition. Plus, this sink has two holes pre-punched to accept the faucet of your choice (sold separately). This model has galvanized steel legs and adjustable plastic bullet feet to keep the sink level and stable.

**⚠️ WARNING:** This product can expose you to chemicals including Lead and Nickel, which are known to the State of California to cause cancer, birth defects, or other reproductive harm. For more information, go to [www.p65warnings.ca.gov](http://www.p65warnings.ca.gov).